

S E C R E T

COMBINED STRATEGIC TARGETS COMMITTEE

(JOCKEY COMMITTEE)

DAYLIGHT STRATEGIC BOMBING CAMPAIGN EUROPE

(8TH AND 15TH AIR FORCES)

TARGET LISTINGS

AND

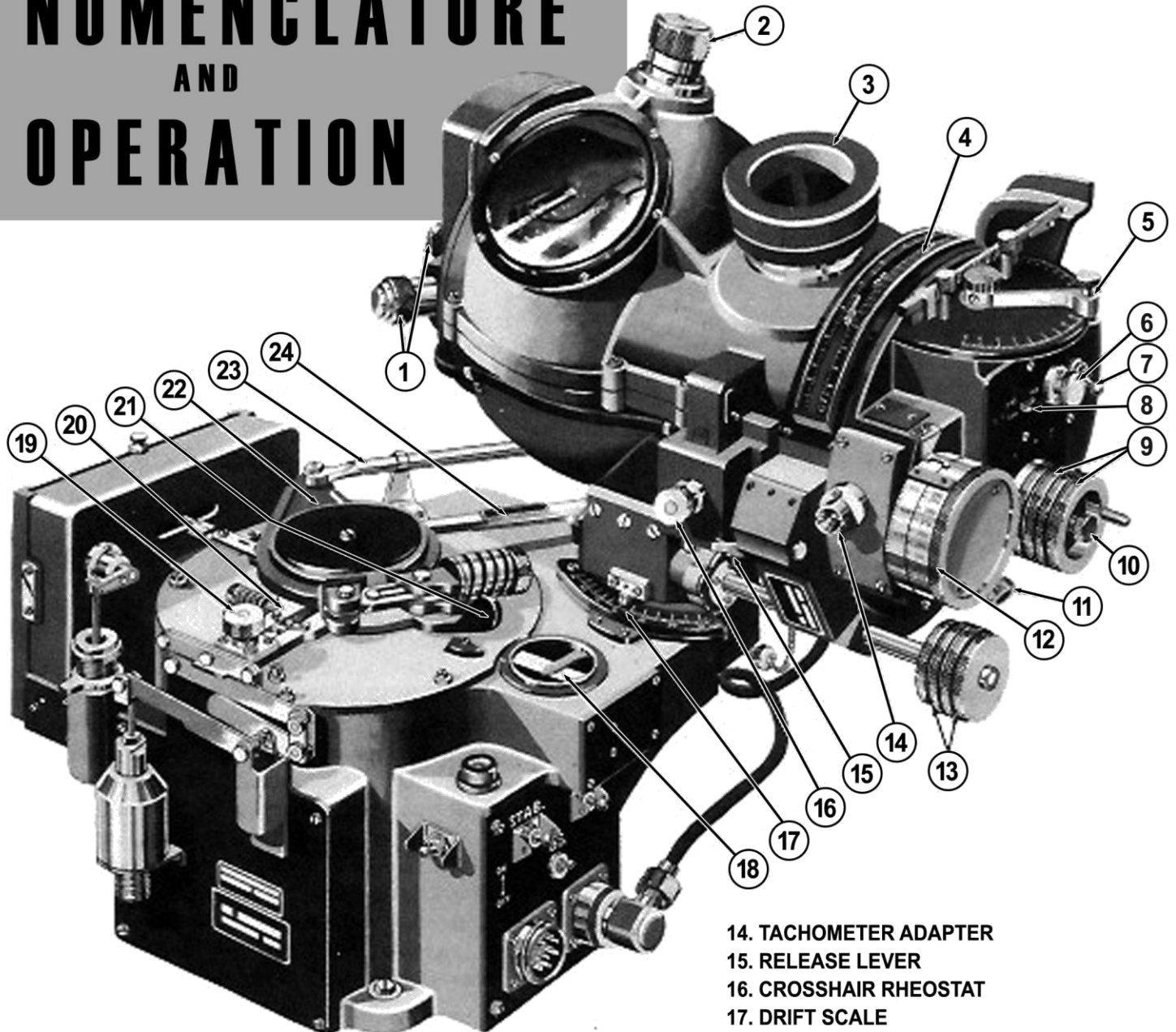
GAZETTEER



1 NOVEMBER 1943

S E C R E T

NOMENCLATURE AND OPERATION



1. LEVELING KNOBS
2. CAGING KNOB
3. EYEPIECE
4. INDEX WINDOW
5. TRAIL ARM AND TRAIL PLATE
6. EXTENDED VISION KNOB
7. RATE MOTOR SWITCH
8. DISC SPEED GEAR SHIFT
9. RATE AND DISPLACEMENT KNOBS
10. MIRROR DRIVE CLUTCH
11. SEARCH KNOB
12. DISC SPEED DRUM
13. TURN AND DRIFT KNOBS

14. TACHOMETER ADAPTER
15. RELEASE LEVER
16. CROSSHAIR RHEOSTAT
17. DRIFT SCALE
18. PDI BRUSH AND COIL
19. AUTOPILOT CLUTCH ENGAGING KNOB
20. AUTOPILOT CLUTCH
21. BOMBSIGHT CLUTCH ENGAGING KNOB
22. BOMBSIGHT CLUTCH
23. BOMBSIGHT CONNECTING KNOB
24. AUTOPILOT CONNECTING ROD

The bombsight has 2 main parts, sighthead and stabilizer. The sighthead pivots on the stabilizer and is locked to it by the dovetail locking pin. The sight head is connected to the directional gyro in the stabilizer through the bombsight connecting rod and the bombsight clutch.

TARGET FOR TODAY - BOMBERS OVER THE REICH, 1942 - 1945

2.0. PRE-MISSION STEP TABLES

Table 2-1 CAMPAIGN SELECTION

1D6	Campaign #	Time Period	Aircraft (choose one)	Basing	Tour Length
1	1	8/1942 – 4/1943	B-17F	8 th Air Force (England)	25 missions
2	2	5/1943 – 11/1943	B-17F or B-24 D YB-40 Optional Rules	8 th Air Force (England)	25 missions
3	3	12/1943 – 5/1944 *6/1944 - 11/1944	B-17F, B-17G, or B-24D, B-24J YB-40 Optional Rules	8 th Air Force (England)	25 mission *35 missions
4	4	11/1943 – 5/1944	B-17F, B-17G, or B-24D, B-24J	15 th Air Force (Italy)	30 missions
5	5	6/1944 – 11/1944 *12/1944 - 4/1945	B-17G or B-24J	15 th Air Force (Italy)	35 missions *50 missions
6	6	12/1944 – 4/1945	B-17G or B-24J	8 th Air Force (England)	35 missions

Table 2-2 CAMPAIGN #1 TARGETS

1D10 + 1D10	Target	Type	1D10 + 1D10	Target	Type
1	<i>Abbeville</i>	Airfield	40-54	<i>Lorient</i>	U-Boats
2-3	<i>Amiens</i>	Airfield	55	<i>Meaulte</i>	Airfield
4-6	<i>Antwerp</i>	Industry	56-58	<i>Paris</i>	Industry
7-13	<i>Bremen *</i>	Aircraft	59-64	<i>Romilly-sur-Seine</i>	Airfield
14-18	<i>Brest</i>	U-Boats	65-68	<i>Rotterdam</i>	Shipyards
19	<i>Cherbourg</i>	Airfield	69-79	<i>Rouen</i>	Marshalling Yards
20	<i>Emden *</i>	Industry	80-93	<i>Saint-Nazaire</i>	U-Boats
21-26	<i>Hamm *</i>	Marshalling Yards	94	<i>Saint-Omer</i>	Airfield
27	<i>Kiel *</i>	U-Boats	95-97	<i>Vege sack *</i>	U-Boats
28-31	<i>La Pallice</i>	U-Boats	98-100	<i>Wilhelmshaven *</i>	U-Boats
32-39	<i>Lille</i>	Industry			

* Roll again if Mission is in November or December 1942

Table 2-3A CAMPAIGN #2 TARGET TYPES

1D10 + 1D10	Target Type	Go to Table
1-25	Aircraft Factories	2-3B
26-56	Airfields	2-3C
56-70	Industry	2-3D
71-75	Marshalling Yards	2-3E
76-78	Oil	2-3F
79-98	Shipyards (<i>includes U-boats</i>)	2-3G
99-100	V-Weapons (TARGET: WATTEN)*	

* The City of Watten is the only target available in Campaign #2, so no table reference

TARGET FOR TODAY - BOMBERS OVER THE REICH, 1942 - 1945

Table 2-3B CAMPAIGN #2 - AIRCRAFT FACTORY TARGETS

1D10 + 1D10	Target	1D10 + 1D10	1D10 + 1D10	1D10 + 1D10	1D10 + 1D10
1-3	Anklam	42-44	Knaben	68-69	Saarbrücken
4-9	Bremen	45-47	Le Mans	70-74	Schweinfurt
10-19	Duren	48-50	Marienburg	75-80	Solingen
20-25	Emden	51-57	Meulan	81-86	Stuttgart
26-27	Frankfurt	58-60	Oschersleben	87-92	Warnemünde
28-30	Hamburg	61-63	Paris	93-97	Wesel
31-41	Kassel	64-67	Rjukan	98-100	Wiesbaden

Table 2-3C CAMPAIGN #2 - AIRFIELD TARGETS

1D10 + 1D10	Target	1D10 + 1D10	Target	1D10 + 1D10	Target
1-3	Abbeville	25-26	Dieppe	59-66	Paris
4-5	Albert	27-30	Emden	67-69	Poix
6-9	Amiens	31-32	Evreux	70-76	Romilly-sur-Seine
10-11	Beaumont-le-Roger	33-36	Flushing	77-78	Saint-Andre de l'eure
12-13	Beauvais	37-38	Gilze-Rijen	79-80	Saint-Omer
14-15	Bordeaux	39-40	Kerlin	81-84	Tricqueville
16-17	Brussels	41-42	Le Mans	85-86	Vannes
18-19	Caen	43-47	Lille	87-95	Villocoublay
20	Conches	48-50	Mardyck	96-97	Vitry-en-Artois
21	Courtrai	51-52	Merville	98-100	Woensdrecht
22-24	Denain	53-58	Nantes		

Table 2-3D CAMPAIGN #2 - INDUSTRY TARGETS

1D10 + 1D10	Target	1D10 + 1D10	Target	1D10 + 1D10	Target
1-13	Antwerp	56-67	Hamburg	78-85	Huls
14-19	Bonn	68-71	Hannover	86-90	Paris
20-55	Bremen	72-77	Heroya	91-100	Schweinfurt

Table 2-3E CAMPAIGN #2 - MARSHALLING YARD TARGETS

1D10 + 1D10	Target
1-11	Emden
12-44	Gelsenkirchen
45-58	Le Mans
59-93	Munster
94-100	Saarlautern

Table 2-3F CAMPAIGN #2 - OIL TARGETS

1D10 + 1D10	Target
1-16	Bochum
17-84	Gelsenkirchen
85-100	Recklinghausen

Table 2-3G CAMPAIGN #2 - SHIPYARD TARGETS

1D10 + 1D10	Target	1D10 + 1D10	Target	1D10 + 1D10	Target
1-3	Bergen	22-25	Hamburg	61-63	Rennes
4-11	Bremen	26-44	Kiel	64-74	Saint-Nazaire
12-14	Emden	45-51	La Pallice	75-78	Trondheim
15-17	Flensburg	52-55	Lorient	79-100	Wilhelmshaven
18-21	Gdynia	56-60	Nantes		

TARGET FOR TODAY - BOMBERS OVER THE REICH, 1942 - 1945

Table 2-4A CAMPAIGN #3 TARGET TYPES

1D10 + 1D10	Target Type	Go to Table
1-23	Aircraft Factories	2-4B
24-48	Airfields	2-4C
49-52	Government (TARGET: BERLIN)*	
53-58	Industry	2-4D
59-73	Marshalling Yards	2-4E
74-78	Oil	2-4F
89-84	Shipyards <i>(includes U-boats)</i>	2-4G
85	Tactical Targets	2-4H
86-100	V-Weapons	2-4I

* The City of Berlin is the only target available in Campaign #3, so no table reference.

Table 2-4B CAMPAIGN #3 - AIRCRAFT FACTORY TARGETS

1D10 + 1D10	Target	1D10 + 1D10	Target	1D10 + 1D10	Target
1	<i>Arnimswalde</i>	49	<i>Evere</i>	80-82	<i>Oschersleben</i>
2-3	<i>Aschersleben</i>	50-51	<i>Frankfurt</i>	83	<i>Paris</i>
4-8	<i>Augsburg</i>	52-54	<i>Friedrichshafen</i>	84-85	<i>Posen</i>
9-10	<i>Basdorf</i>	55	<i>Gotha</i>	86	<i>Rahmel</i>
11-14	<i>Berlin</i>	56-59	<i>Halberstadt</i>	87	<i>Rathenow</i>
15-17	<i>Bernburg</i>	60-61	<i>Kassel</i>	88-89	<i>Regensburg</i>
18	<i>Bourges</i>	62	<i>Kiel</i>	90-92	<i>Schweinfurt</i>
19	<i>Brandenburg</i>	63	<i>Krzesinski</i>	93	<i>Solingen</i>
20-40	<i>Brunswick</i>	64-66	<i>Leipzig</i>	94	<i>Sorau</i>
41	<i>Brussels</i>	67	<i>Leverkusen</i>	95	<i>Strasbourg</i>
42	<i>Cottbus</i>	68	<i>Marienburg</i>	96	<i>Stuttgart</i>
43-45	<i>Dessau</i>	69-72	<i>Oberpfaffenhofen</i>	97-99	<i>Tutow</i>
46-48	<i>Emden</i>	73-79	<i>Oranienburg</i>	100	<i>Warnemunde</i>

TARGET FOR TODAY - BOMBERS OVER THE REICH, 1942 - 1945

Table 2-4C CAMPAIGN #3 - AIRFIELD TARGETS

1D10 + 1D10	Target	1D10 + 1D10	Target	1D10 + 1D10	Target
1-2	Achmer	39	Gilze-Rijen	69-70	Orleans-Bricy
3-5	Avord	40-41	Gutersloh	71	Paderborn
6	Beaumont-sur-Oise	42	Handorf	72-73	Paris
7	Bergerac	43	Hopstein	74	Pau
8	Biarritz	44	Juvincourt	75	Poix
9-11	Bordeaux	45	La Roche	76	Quackenbruck
12-13	Bourges	46	La Rochelle	77-78	Reims
14	Cayeaux	47	Landes de Bussac	79	Rendsburg
15-18	Chateaudun	48	Landsberg	80	Rotenburg
19	Chateauxroux	49-50	Laon	81	Saint-Andre de l'eure
20-22	Chatres	51	Lauffen	82-83	Saint-Dizier
23	Clermont-Ferrand	52	Lechfeld	84	Saint-Jean-d'Angely
24	Cognac	53	Leipheim	85	Saint-Pol
25	Cottbus	54	Lille	86	Sorau
26-27	Courcelles-sur-Seine	55-56	Lippstadt	87	St Trond
28	Creil	57	Luneberg	88	Thionville
29-30	Diepholz	58	Lyon	89-91	Tours
31	Diest	59	Maldegem	92-94	Tutow
32-33	Dijon	60	Melun	95-96	Villacoublay
34	Erding	61-62	Metz	97-98	Werl
34	Eschwege	63	Mont de Marson	99	Woippy
36	Etampes	64	Munster	100	Zwischenahn
37	Florennes	65-66	Nancy		
38	Gablingen	67-68	Oldenburg		

Table 2-4D CAMPAIGN #3 - INDUSTRY TARGETS

1D10 + 1D10	Target	1D10 + 1D10	Target	1D10 + 1D10	Target
1-27	Berlin	37-56	Frankfurt	85-89	Politz
28-31	Cologne	57-78	Ludwigshafen	90-94	Rostock
32-36	Elberfeld	79-84	Munich	95-100	Schweinfurt

Table 2-4E CAMPAIGN #3 - MARSHALLING YARD TARGETS

1D10 + 1D10	Target	1D10 + 1D10	Target	1D10 + 1D10	Target
1	Belfort	40-46	Hamm	77-78	Neunkirchen
2	Bettembourg	47-48	Karlsruhe	79-85	Osnabruck
3-4	Blaineville-sur-L'Eau	49-51	Kons Karthaus	86-88	Reims
5-10	Brussels	52-58	Liege	89-92	Saarbrucken
11-12	Chalons-sur-Marne	59-61	Luxembourg City	93-94	Sarreguemines
13-16	Chaumont	62	Luxeuil	95	Schwerte
17-18	Cologne	63-66	Mannheim	96	Strasbourg
19	Ehrang	67-69	Metz	97	Thionville
20-22	Epinal	70	Mulhouse	98-100	Troyes
23-39	Frankfurt	71-76	Munster		

TARGET FOR TODAY - BOMBERS OVER THE REICH, 1942 - 1945

Table 2-4F CAMPAIGN #3 - OIL TARGETS

1D10 + 1D10	Target	1D10 + 1D10	Target	1D10 + 1D10	Target
1-6	<i>Bohlen</i>	31-38	<i>Magdeburg</i>	73-80	<i>Ruhland</i>
7-12	<i>Brux</i>	39-52	<i>Merseburg</i>	81-94	<i>Zeitz</i>
13-20	<i>Konigsburg</i>	53-66	<i>Mücheln</i>	95-100	<i>Zwickau</i>
21-30	<i>Ludwigshafen</i>	67-72	<i>Politz</i>		

Table 2-4G CAMPAIGN #3 - SHIPYARD TARGETS

1D10 + 1D10	Target	1D10 + 1D10	Target	1D10 + 1D10	Target
1-26	<i>Bremen</i>	43-77	<i>Kiel</i>	91-100	<i>Wilhelmshaven</i>
27-33	<i>Emden</i>	78-85	<i>Ludwigshafen</i>		
34-42	<i>Ijmuden</i>	86-90	<i>Marseilles</i>		

Table 2-4H CAMPAIGN #3 - TACTICAL TARGETS

1D10 + 1D10	Target	1D10 + 1D10	Target
1-51	<i>Frecamp</i>	52-100	<i>Saint-Valery</i>

Table 2-4I CAMPAIGN #3 - V-WEAPON TARGETS

1D10 + 1D10	Target	1D10 + 1D10	Target	1D10 + 1D10	Target
1-21	<i>Abbeville</i>	53-58	<i>Drainville</i>	68-72	<i>Marquise</i>
22-27	<i>Beauvais</i>	59	<i>Ecalles-sur-Burchy</i>	73-86	<i>Saint-Pol</i>
28-33	<i>Bois de la Justice</i>	60	<i>Eclimeaux</i>	87-90	<i>Sottevast</i>
34-39	<i>Brecourt</i>	61	<i>Glacerie</i>	91-97	<i>Watten</i>
40-52	<i>Cherbourg</i>	62-67	<i>Grand Parc</i>	98-100	<i>Wizernes</i>

Table 2-5A CAMPAIGN #4 TARGET TYPES

1D10 + 1D10	Target Type	Go to Table
1-16	Aircraft Factories	2-5B
17-35	Airfields	2-5C
36-39	Bridges	2-5D
40-42	Industry	2-5E
43-77	Marshalling Yards	2-5F
78-80	Oil	2-5G
81-89	Shipyards (<i>includes U-boats</i>)	2-5H
90-100	Tactical Targets	2-5I

Table 2-5B CAMPAIGN #4 - AIRCRAFT FACTORY TARGETS

1D10 + 1D10	Target	1D10 + 1D10	Target	1D10 + 1D10	Target
1-2	<i>Augsburg</i>	30-31	<i>Klagenfurt</i>	56-71	<i>Steyr</i>
3-7	<i>Bad Voslau</i>	32-33	<i>Maribor</i>	72-76	<i>Turin</i>
8-11	<i>Belgrade</i>	34-35	<i>Milan</i>	77-78	<i>Varese</i>
12-13	<i>Brasov</i>	36-37	<i>Pontedera</i>	79-80	<i>Vienna</i>
14-19	<i>Budapest</i>	38-45	<i>Regensburg</i>	81-100	<i>Wiener-Neustadt</i>
20-26	<i>Fischamend Markt</i>	46-49	<i>Reggio Emilia</i>		
27-29	<i>Gyor</i>	50-55	<i>Schwechat</i>		

TARGET FOR TODAY - BOMBERS OVER THE REICH, 1942 - 1945

Table 2-5C CAMPAIGN #4 - AIRFIELD TARGETS

1D10 + 1D10	Target	1D10 + 1D10	Target	1D10 + 1D10	Target
1-7	<i>Athens</i>	30-33	<i>Montpellier</i>	66	<i>Skoplje</i>
8-10	<i>Aviano</i>	34-40	<i>Mostar</i>	67-69	<i>Steyr</i>
11-12	<i>Bad Voslau</i>	41	<i>Munchendorf</i>	70	<i>Tarquinoa</i>
13-14	<i>Belgrade</i>	42-43	<i>Orvieto</i>	71-81	<i>Udine</i>
15	<i>Canino</i>	44	<i>Osoppo</i>	82	<i>Vicenza</i>
16-17	<i>Fabrica di Roma</i>	45-48	<i>Piacenza</i>	83-86	<i>Viterbo</i>
18-20	<i>Graz</i>	49	<i>Pontedera</i>	87	<i>Villaorba</i>
21-22	<i>Iesi</i>	50-52	<i>Reggio Emilia</i>	88-90	<i>Wiener-Neustadt</i>
23-24	<i>Imotski</i>	53	<i>Rieti</i>	91-96	<i>Wollersdorf</i>
25-26	<i>Istres-le-Tube</i>	54-60	<i>Rome</i>	97-100	<i>Zagreb</i>
27-29	<i>Klagenfurt</i>	61-65	<i>Salon-de-Provence</i>		

Table 2-5D CAMPAIGN #4 - BRIDGE TARGETS

1D10 + 1D10	Target	1D10 + 1D10	Target	1D10 + 1D10	Target
1-12	<i>Avisio</i>	33-43	<i>Faenza</i>	80-88	<i>Pineto</i>
13-19	<i>Belgrade</i>	44-50	<i>Fano</i>	89-94	<i>Pontecorvo</i>
20-26	<i>Cessano</i>	51-56	<i>Levanto</i>	95-100	<i>Rimini</i>
27-32	<i>Dogna</i>	57-79	<i>Orbetello</i>		

Table 2-5E CAMPAIGN #4 - INDUSTRY TARGETS

1D10 + 1D10	Target	1D10 + 1D10	Target	1D10 + 1D10	Target
1-6	<i>Breslau</i>	32-39	<i>Mestre</i>	74-86	<i>Turin</i>
7-12	<i>Budapest</i>	40-51	<i>Piombino</i>	87-94	<i>Villarperosa</i>
13-18	<i>Fiume</i>	52-57	<i>Reggio Emilia</i>	95-100	<i>Zara</i>
19-31	<i>Imotski</i>	58-73	<i>Steyr</i>		

Table 2-5F CAMPAIGN #4 – MARSHALLING YARD TARGETS

1D10 + 1D10	Target	1D10 + 1D10	Target	1D10 + 1D10	Target
1	<i>Alessandria</i>	34	<i>Genoa</i>	62	<i>Porto Civianova</i>
2-4	<i>Ancona</i>	35	<i>Grizzano</i>	63-64	<i>Prato</i>
5	<i>Arezzo</i>	36	<i>Innsbruck</i>	65	<i>Reggio Emilia</i>
6	<i>Avezzano</i>	37	<i>Knin</i>	66-71	<i>Rimini</i>
7	<i>Avignon</i>	38	<i>Leskovac</i>	72	<i>Rome</i>
8	<i>Bihac</i>	39	<i>Mantua</i>	73	<i>Sava</i>
9-10	<i>Bologna</i>	40	<i>Marseilles</i>	74	<i>Siena</i>
11-16	<i>Bolzano</i>	41-42	<i>Mestre</i>	75	<i>Skoplje</i>
17-18	<i>Brod</i>	43	<i>Metkovic</i>	76-80	<i>Sofia</i>
19	<i>Bronzola</i>	44-45	<i>Milan</i>	81	<i>Terni</i>
20-24	<i>Bucharest</i>	46	<i>Montpellier</i>	82	<i>Trento</i>
25	<i>Budapest</i>	47	<i>Nimes</i>	83	<i>Treviso</i>
26	<i>Castel Maggiore</i>	48	<i>Nis</i>	84	<i>Turin</i>
27	<i>Castelfranco</i>	49-50	<i>Padua</i>	85-90	<i>Turnu Severin</i>
28	<i>Fabriano</i>	51	<i>Parma</i>	91	<i>Udine</i>
29	<i>Ferrara</i>	52	<i>Piacenza</i>	92	<i>Varazdin</i>
30-31	<i>Ferrara</i>	53	<i>Pisa</i>	93-96	<i>Verona</i>
32	<i>Fiume</i>	54-60	<i>Ploesti</i>	97-99	<i>Vicenza</i>
33	<i>Frascati</i>	61	<i>Pontedera</i>	100	<i>Zagreb</i>

TARGET FOR TODAY - BOMBERS OVER THE REICH, 1942 - 1945

Table 2-5G CAMPAIGN #4 - OIL TARGETS

1D10 + 1D10	Target	1D10 + 1D10	Target
1-79	<i>Ploesti</i>	80-100	<i>Porto Marghera</i>

Table 2-5H CAMPAIGN #4 – SHIPYARD TARGETS

1D10 + 1D10	Target	1D10 + 1D10	Target	1D10 + 1D10	Target
1-3	<i>Breda</i>	29-32	<i>Orbetello</i>	63-65	<i>Sibenik</i>
4-6	<i>Genoa</i>	33-43	<i>Piombino</i>	66-68	<i>Split</i>
7-14	<i>La Spezia</i>	44-46	<i>Piraeus</i>	69-90	<i>Toulon</i>
15-17	<i>Leghorn</i>	47-48	<i>Pola</i>	91-93	<i>Trieste</i>
18-22	<i>Marseilles</i>	49-51	<i>Razanac</i>	94-97	<i>Venice</i>
23-28	<i>Monfalcone</i>	52-62	<i>San Stefano</i>	98-100	<i>Zara</i>

Table 2-5I CAMPAIGN #4 – TACTICAL TARGETS

1D10 + 1D10	Target	1D10 + 1D10	Target	1D10 + 1D10	Target
1-44	<i>Anzio</i>	56-58	<i>La Spezia</i>	94-96	<i>Niksic</i>
45-47	<i>Avezzano</i>	59-70	<i>Massa d'Albe</i>	97-100	<i>Podgorica</i>
48-52	<i>Bihac</i>	71-81	<i>Monte Cassino</i>		
53-55	<i>Carrara</i>	82-93	<i>Monte Soratte</i>		

Table 2-6A CAMPAIGN #5 TARGET TYPES

1D10 + 1D10	Target Type	Go to Table
1-3	Aircraft Factories	2-6B
4-14	Airfields	2-6C
15-25	Bridges (<i>includes other chokepoints</i>)	2-6D
26-34	Industry	2-6E
35-59	Marshalling Yards	2-6F
60-90	Oil	2-6G
91-94	Shipyards (<i>includes U-boats</i>)	2-6H
95-100	Tactical Targets	2-6I

Table 2-6B CAMPAIGN #5 - AIRCRAFT FACTORY TARGETS

1D10 + 1D10	Target	1D10 + 1D10	Target	1D10 + 1D10	Target
1-8	<i>Brno</i>	34-48	<i>Manzell</i>	84-92	<i>Wiener-Neustadt</i>
9-19	<i>Friedrichshafen</i>	49-69	<i>Munich</i>	93-100	<i>Wiener-Neudorf</i>
20-25	<i>Gyor</i>	70-75	<i>Steyr</i>		
26-33	<i>Kurim</i>	76-83	<i>Vienna</i>		

Table 2-6C CAMPAIGN #5 - AIRFIELD TARGETS

1D10 + 1D10	Target	1D10 + 1D10	Target	1D10 + 1D10	Target
1-4	<i>Alibunar</i>	37-39	<i>Hadju Boszormeny</i>	74-75	<i>Pardubice</i>
5-11	<i>Athens</i>	40-43	<i>Horsching</i>	76-77	<i>Prostejov</i>
12-17	<i>Aviano</i>	44-45	<i>Karlova</i>	78-79	<i>Szolnok</i>
18-19	<i>Bad Aibling</i>	46-49	<i>Klagenfurt</i>	80-83	<i>Szombathely</i>
20-21	<i>Brno</i>	50-52	<i>Lechfeld</i>	84-87	<i>Valence</i>
22-24	<i>Bucharest</i>	53-54	<i>Malacky</i>	88-89	<i>Veszprem</i>
25-29	<i>Budapest</i>	55-61	<i>Memmingen</i>	90-98	<i>Vienna</i>
30-31	<i>Ferrara</i>	62-63	<i>Moosebierbaum</i>	99-100	<i>Zagreb</i>
32-34	<i>Galati *</i>	64-68	<i>Munich</i>		
35-36	<i>Gyor</i>	69-73	<i>Nis</i>		

* Operation Frantic mission

TARGET FOR TODAY - BOMBERS OVER THE REICH, 1942 - 1945

Table 2-6D CAMPAIGN #5 - BRIDGE TARGETS

1D10 + 1D10	Target	1D10 + 1D10	Target	1D10 + 1D10	Target
1-3	<i>Arlés</i>	41-50	<i>Ferrara</i>	75-77	<i>Smederevo</i>
4-7	<i>Avisio</i>	51-52	<i>Giurgiu</i>	78-79	<i>Supovac</i>
8-11	<i>Belgrade</i>	53-57	<i>Kraljevo</i>	80-81	<i>Szeged</i>
12-15	<i>Borovnica</i>	58-59	<i>Latisana</i>	82-86	<i>Szob</i>
16-25	<i>Brenner Pass</i>	60-61	<i>Maribor</i>	87-90	<i>Szolnok</i>
26-28	<i>Brod</i>	62-66	<i>Mitrovica</i>	91-93	<i>Tarascon</i>
29-36	<i>Budapest</i>	67-68	<i>Moravac</i>	94-96	<i>Turnu Severin</i>
37-38	<i>Cesara</i>	69-72	<i>Novi Sad</i>	97-100	<i>Venzone</i>
39-40	<i>Dravograd</i>	73-74	<i>Pitesti</i>		

Table 2-6E CAMPAIGN #5 - INDUSTRY TARGETS

1D10 + 1D10	Target	1D10 + 1D10	Target	1D10 + 1D10	Target
1-3	<i>Auschwitz</i>	23-26	<i>Friedrichshafen</i>	56-64	<i>Munich</i>
4-6	<i>Bergamo</i>	27-29	<i>Graz</i>	65-69	<i>Pilsen</i>
7-8	<i>Bolzano</i>	30-32	<i>Gyor</i>	70-72	<i>Plauen</i>
9-16	<i>Budapest</i>	33-37	<i>Kapfenburg</i>	73-75	<i>Steyr</i>
17-19	<i>Cracow</i>	38-51	<i>Linz</i>	76-81	<i>Turin</i>
20-22	<i>Dubnica</i>	52-55	<i>Milan</i>	82-100	<i>Vienna</i>

Table 2-6F CAMPAIGN #5 – MARSHALLING YARD TARGETS

1D10 + 1D10	Target	1D10 + 1D10	Target	1D10 + 1D10	Target
1	<i>Arad</i>	39	<i>Larissa</i>	71	<i>Regensburg</i>
2	<i>Athens</i>	40-42	<i>Leskovac</i>	72-73	<i>Rosenheim</i>
3-4	<i>Avignon</i>	43	<i>Linz</i>	74-75	<i>Salonika</i>
5-6	<i>Belgrade</i>	45	<i>Ljubljana</i>	76	<i>Salzburg</i>
7	<i>Beziers (F)</i>	45	<i>Mantua</i>	77-78	<i>Sarajevo</i>
8	<i>Bratislava</i>	46-48	<i>Maribor</i>	79-80	<i>Savona</i>
9	<i>Brasov</i>	49-50	<i>Mestre</i>	81	<i>Sete</i>
10-16	<i>Brod</i>	51	<i>Miramas</i>	82	<i>Simeria</i>
17-18	<i>Budapest</i>	52-53	<i>Miskolc</i>	83	<i>Smedevero</i>
19	<i>Cakovec</i>	54	<i>Mitrovica</i>	84	<i>Subotica</i>
20-21	<i>Cluj</i>	55	<i>Montpellier</i>	85	<i>Szeged</i>
22	<i>Craiova</i>	56-60	<i>Munich</i>	86	<i>Szolnok</i>
23	<i>Debreczen</i>	61	<i>Nimes</i>	87	<i>Turin</i>
24	<i>Genoa</i>	62	<i>Nis</i>	88	<i>Verciorova</i>
25-26	<i>Graz</i>	63	<i>Nove Zamky</i>	89	<i>Verona</i>
27	<i>Gussing</i>	64	<i>Novi Ligure</i>	90-93	<i>Vienna</i>
28-29	<i>Gyor</i>	65	<i>Novi Sad</i>	94-95	<i>Villach</i>
30	<i>Hatvan</i>	66	<i>Oradea</i>	96-97	<i>Vinkovci</i>
31	<i>Immenstadt</i>	67	<i>Orsova</i>	98	<i>Vrutky</i>
32-37	<i>Innsbruck</i>	68-69	<i>Pitesti</i>	99	<i>Wels</i>
38	<i>Kragujevac</i>	70	<i>Porto Marghera</i>	100	<i>Zagreb</i>

TARGET FOR TODAY - BOMBERS OVER THE REICH, 1942 - 1945

Table 2-6G CAMPAIGN #5 – OIL TARGETS

1D10 + 1D10	Target	1D10 + 1D10	Target	1D10 + 1D10	Target
1	<i>Almasfuzito</i>	33	<i>Doicesti</i>	53	<i>Pardubice</i>
2	<i>Auschwitz</i>	34	<i>Drohobycz</i>	54-55	<i>Petfurdo</i>
3	<i>Belgrade</i>	35	<i>Dubova</i>	56-74	<i>Ploesti*</i>
4-5	<i>Berat</i>	36-37	<i>Giurgiu</i>	75-77	<i>Porto Marghera</i>
6-15	<i>Blechhammer</i>	38-39	<i>Kolin</i>	78	<i>Regensburg</i>
16	<i>Brasov</i>	40-41	<i>Komarom</i>	79	<i>Sete</i>
17	<i>Bratislava</i>	42-43	<i>Linz</i>	80	<i>Sisak</i>
18	<i>Brod</i>	44	<i>Lispe</i>	81	<i>Targoviste</i>
19-22	<i>Bruix</i>	45	<i>Mestre</i>	82	<i>Teleajenul</i>
23-26	<i>Bucharest</i>	46-47	<i>Moosebierbaum</i>	83	<i>Trieste</i>
27-30	<i>Budapest</i>	48	<i>Novi Sad</i>	84-100	<i>Vienna</i>
31	<i>Constanta</i>	49-51	<i>Odertal</i>	* Roll again beginning 24 August	
32	<i>Czechowice</i>	52	<i>Osijek</i>		

Table 2-6H CAMPAIGN #5 - SHIPYARD TARGETS

1D10 + 1D10	Target	1D10 + 1D10	Target	1D10 + 1D10	Target
1-7	<i>Athens</i>	30-35	<i>Pola</i>	61-81	<i>Toulon</i>
8-12	<i>Fiume</i>	36-48	<i>Salamis</i>	82-95	<i>Trieste</i>
13-23	<i>Genoa</i>	49-55	<i>Skarmanga</i>	96-100	<i>Voltri</i>
24-29	<i>Piraeus</i>	56-60	<i>Split</i>		

Table 2-6I CAMPAIGN #5 - TACTICAL TARGETS

1D10 + 1D10	Target	1D10 + 1D10	Target	1D10 + 1D10	Target
1-20	<i>Bologna*</i>	44-47	<i>Novi Pazar</i>	72-82	<i>Savona*</i>
21-26	<i>Bucharest*</i>	48-56	<i>Podgorica</i>	83-91	<i>Toulon*</i>
27-43	<i>Genoa*</i>	57-71	<i>Saint-Raphael*</i>	92-100	<i>Visegrad</i>

* Available in August 1944 only; if rolled for during any other month, roll again on Table 2-6A

Table 2-7A CAMPAIGN #6 TARGET TYPES

1D10 + 1D10	Target Type	Go to Table
1-2	Aircraft Factories	2-7B
3-7	Airfields	2-7C
8-13	Bridges (<i>includes other chokepoints</i>)	2-7D
14-26	Industry	2-7E
27-69	Marshalling Yards	2-7F
70-97	Oil	2-7G
98	Shipyards (<i>includes U-boats</i>)	2-7H
99-100	Tactical Targets	2-7I

EXCEPTION: for missions beginning 17 December 1944 through 13 January 1945 (inclusive), roll on Table 2-7J "CAMPAIGN #6 ARDENNES OFFENSIVE TARGET TYPES" below.

Table 2-7B CAMPAIGN #6 - AIRCRAFT FACTORY TARGETS

1D10 + 1D10	Target	1D10 + 1D10	Target	1D10 + 1D10	Target
1-9	<i>Berlin</i>	36-47	<i>Furth</i>	80-93	<i>Neumunster</i>
10-22	<i>Bitterfeld</i>	48-67	<i>Gustavsborg</i>	94-100	<i>Wittenberg</i>
23-35	<i>Bremen</i>	78-79	<i>Neubrandenburg</i>		

TARGET FOR TODAY - BOMBERS OVER THE REICH, 1942 - 1945

Table 2-7C CAMPAIGN #6 - AIRFIELD TARGETS

1D10 + 1D10	Target	1D10 + 1D10	Target	1D10 + 1D10	Target
1-4	<i>Bilbis</i>	42-44	<i>Grossostheim</i>	79-81	<i>Nidda</i>
5-11	<i>Cologne</i>	45-50	<i>Hanau</i>	82-84	<i>Paderborn</i>
12-16	<i>Darmstadt</i>	51-53	<i>Kirchgoens</i>	85-89	<i>Stargard</i>
17-19	<i>Ettinghausen</i>	54-58	<i>Lippstadt</i>	90-92	<i>Schwabisch Hall</i>
20-23	<i>Frankfurt</i>	69-63	<i>Merzhausen</i>	93-97	<i>Wiesbaden</i>
24-38	<i>Giebelstadt</i>	64-74	<i>Munster</i>	98-100	<i>Zellhausen</i>
39-41	<i>Giessen</i>	75-78	<i>Neumunster</i>		

Table 2-7D CAMPAIGN #6 - BRIDGE TARGETS

1D10 + 1D10	Target	1D10 + 1D10	Target	1D10 + 1D10	Target
1-8	<i>Altenbeken</i>	33-41	<i>Cologne</i>	80-83	<i>Paderborn</i>
9-11	<i>Arnsberg</i>	42-46	<i>Duisburg</i>	84-100	<i>Wesel</i>
12-28	<i>Bielefeld</i>	47-64	<i>Mannheim</i>		
29-32	<i>Bremen</i>	65-79	<i>Minden</i>		

Table 2-7E CAMPAIGN #6 - INDUSTRY TARGETS

1D10 + 1D10	Target	1D10 + 1D10	Target	1D10 + 1D10	Target
1	<i>Aschaffenburg</i>	32-34	<i>Gustavsburg</i>	79-82	<i>Mannheim</i>
2-6	<i>Berlin</i>	35-38	<i>Hamburg</i>	83-84	<i>Meschede</i>
7-8	<i>Bielefeld</i>	39-45	<i>Hannover</i>	85-86	<i>Munster</i>
9-11	<i>Bremen</i>	46-47	<i>Jungenthal</i>	87-90	<i>Nuremberg</i>
12-13	<i>Brunswick</i>	48-49	<i>Kaiserlautern</i>	91-92	<i>Osnabruck</i>
14-23	<i>Cologne</i>	50-69	<i>Kassel</i>	93-94	<i>Scholven</i>
24-25	<i>Dusseldorf</i>	70-71	<i>Lachen</i>	95-97	<i>Schweinfurt</i>
26-28	<i>Frankfurt</i>	72-74	<i>Ludwigshafen</i>	98-99	<i>Weimar</i>
29	<i>Friedrichshaffen</i>	75	<i>Leverkusen</i>	100	<i>Wenzendorf</i>
30-31	<i>Gaggenau</i>	76-78	<i>Magdeburg</i>		

TARGET FOR TODAY - BOMBERS OVER THE REICH, 1942 - 1945

Table 2-7F CAMPAIGN #6 – MARSHALLING YARD TARGETS

1D10 + 1D10	Target	1D10 + 1D10	Target	1D10 + 1D10	Target
1	<i>Ansbach</i>	42	<i>Heilbronn</i>	77	<i>Oberlahnstein</i>
2	<i>Aschaffenburg</i>	43	<i>Hildesheim</i>	78	<i>Offenburg</i>
3	<i>Augsburg</i>	44	<i>Hohenbudberg</i>	79-81	<i>Osnabruck</i>
4	<i>Bamberg</i>	45	<i>Homburg</i>	82	<i>Paderborn</i>
5	<i>Bebra</i>	46	<i>Ingolstadt</i>	83	<i>Peine</i>
6-9	<i>Berlin</i>	47	<i>Karlsruhe</i>	84	<i>Pforzheim</i>
10	<i>Bielfeld</i>	48-50	<i>Kassel</i>	85	<i>Plauen</i>
11	<i>Bingen</i>	51	<i>Kitzingen</i>	86	<i>Reutlingen</i>
12	<i>Chemnitz</i>	52-54	<i>Koblenz</i>	87	<i>Rheine</i>
13-20	<i>Cologne</i>	55	<i>Lehrte</i>	88	<i>Saarbrucken</i>
21	<i>Cottbus</i>	56	<i>Leipzig</i>	89	<i>Salzwedel</i>
22	<i>Darmstadt</i>	57	<i>Ludwigshafen</i>	90	<i>Schwerte</i>
23	<i>Dessau</i>	58-59	<i>Magdeburg</i>	91	<i>Siegen</i>
24	<i>Dresden</i>	60-61	<i>Mainz</i>	92	<i>Soest</i>
25	<i>Frankfurt</i>	62	<i>Mannheim</i>	93	<i>Stendal</i>
26-27	<i>Freiburg</i>	63	<i>Munich</i>	94	<i>Stuttgart</i>
28	<i>Fulda</i>	64-67	<i>Munster</i>	95	<i>Treuchtlingen</i>
29	<i>Gera</i>	68	<i>Niederlahnstein</i>	96	<i>Uelzen</i>
30-31	<i>Giessen</i>	69	<i>Neumarkt</i>	97	<i>Ulm</i>
32	<i>Hagen</i>	70	<i>Neumunster</i>	98	<i>Weimar</i>
33	<i>Halle</i>	71	<i>Neuburg</i>	99	<i>Wittenburg</i>
34-39	<i>Hamm</i>	72	<i>Neunkirchen</i>	100	<i>Zwickau</i>
40	<i>Hanau</i>	73	<i>Neuss</i>		
41	<i>Hannover</i>	74-76	<i>Nuremberg</i>		

Table 2-7G CAMPAIGN #6 – OIL TARGETS

1D10 + 1D10	Target	1D10 + 1D10	Target	1D10 + 1D10	Target
1	<i>Alm</i>	16-20	<i>Gelsenkirchen</i>	83-85	<i>Mücheln</i>
2	<i>Aschaffenburg</i>	21	<i>Gneisenau</i>	86	<i>Monheim</i>
3	<i>Bochum</i>	22	<i>Hallendorf</i>	87	<i>Munich</i>
4-5	<i>Bohlen</i>	23-38	<i>Hamburg</i>	88	<i>Neunkirchen</i>
6	<i>Bottrop</i>	39-44	<i>Hannover</i>	89	<i>Nordstern</i>
7	<i>Castrop</i>	45	<i>Hemmingstedt</i>	90	<i>Politz</i>
8	<i>Chemnitz</i>	46	<i>Kaiserstuhl</i>	91	<i>Reisholz</i>
9	<i>Dollbergen</i>	47-48	<i>Kassel</i>	92-93	<i>Ruhland</i>
10-11	<i>Dortmund</i>	49-50	<i>Leipzig</i>	94	<i>Salzbergen</i>
12	<i>Dulmen</i>	51-58	<i>Ludwigshafen</i>	95-98	<i>Sterkrade</i>
13	<i>Duisburg</i>	59-69	<i>Magdeburg</i>	99	<i>Wesseling</i>
14-15	<i>Ehren</i>	70-82	<i>Merseburg</i>	100	<i>Zeitz</i>

TARGET FOR TODAY - BOMBERS OVER THE REICH, 1942 - 1945

Table 2-7H CAMPAIGN #6 – SHIPYARD TARGETS

1D10 + 1D10	Target	1D10 + 1D10	Target	1D10 + 1D10	Target
1-25	<i>Essen</i>	26-59	<i>Ijmuiden</i>	60-100	<i>Bremen</i>

Table 2-7I CAMPAIGN #6 – TACTICAL TARGETS

1D10 + 1D10	Target	1D10 + 1D10	Target
1-34	<i>Brest *</i>	64-86	<i>Duren **</i>
35-63	<i>Eschweiler **</i>	87-100	<i>Lebach</i>

* Available in September 1944 only; if rolled for during any other month, roll again on Table 2-7A

** Available in November 1944 only; if rolled for during any other month, roll again on Table 2-7A

Table 2-7J CAMPAIGN #6 ARDENNES OFFENSIVE TARGET TYPES*

1D10 + 1D10	Target Type	Go to Table
1-2	Airfields	2-7K
3-32	Bridges (<i>includes other chokepoints</i>)	2-7L
33-100	Marshalling Yards	2-7M

*For missions 17 December 1944 through 13 January 1945 (inclusive) only

Table 2-7K CAMPAIGN #6 ARDENNES OFFENSIVE –AIRFIELD TARGETS

1D10 + 1D10	Target	1D10 + 1D10	Target
1-24	<i>Bonn</i>	53-78	<i>Cologne</i>
25-52	<i>Euskirchen</i>	79-100	<i>Gymnich</i>

Table 2-7L CAMPAIGN #6 ARDENNES OFFENSIVE –BRIDGE TARGETS

Roll 1D10 + 1D10

1D10 + 1D10	Target	1D10 + 1D10	Target	1D10 + 1D10	Target
1	<i>Ahrweiler</i>	38	<i>Euskirchen</i>	83-89	<i>Remagen</i>
2-4	<i>Altenahr</i>	39-40	<i>Germersheim</i>	90	<i>Rodenkirchen</i>
5	<i>Alzey</i>	41-51	<i>Irlich</i>	91-92	<i>Rudesheim</i>
6-7	<i>Auskirchen</i>	52-58	<i>Kaiserlautern</i>	93	<i>Sinzig</i>
8	<i>Bad Munster</i>	59-69	<i>Koblenz</i>	94-95	<i>Schonberg</i>
9-12	<i>Bonn</i>	70-73	<i>Mainz</i>	96	<i>Steinbruck</i>
13-19	<i>Bullay</i>	74-75	<i>Mannheim</i>	97-98	<i>Weweler</i>
20-33	<i>Cologne</i>	76	<i>Marscheid</i>	99-100	<i>Worms</i>
34	<i>Dasburg</i>	77-79	<i>Maximiliansu</i>		
35-37	<i>Engers</i>	80-82	<i>Neuwied</i>		

TARGET FOR TODAY - BOMBERS OVER THE REICH, 1942 - 1945

Table 2-7M CAMPAIGN #6 ARDENNES OFFENSIVE –MARSHALLING YARD TARGETS

1D10 + 1D10	Target	1D10 + 1D10	Target	1D10 + 1D10	Target
1	<i>Achern</i>	33	<i>Heimbach</i>	76	<i>Oudler</i>
2	<i>Andemach</i>	34	<i>Hemulheim</i>	77	<i>Osnabruck</i>
3	<i>Aschaffenburg</i>	35	<i>Hermeskeil</i>	78	<i>Paderborn</i>
4	<i>Bad Kreuznach</i>	36	<i>Homburg</i>	79	<i>Pelm</i>
5	<i>Bielfeld</i>	37-41	<i>Kaiserlautern</i>	80	<i>Pforzheim</i>
6	<i>Bingen</i>	42	<i>Kall</i>	81	<i>Pirmasens</i>
7	<i>Bischofsheim</i>	43	<i>Karlsruhe</i>	82	<i>Pronsfeld</i>
8	<i>Bitburg</i>	44	<i>Kempnich</i>	83-84	<i>Prum</i>
9	<i>Blankenheim</i>	45-48	<i>Koblenz</i>	85	<i>Rastatt</i>
10	<i>Bruhl</i>	49	<i>Krefeld</i>	86	<i>Schleiden</i>
11	<i>Burg-Reuland</i>	50	<i>Kyllburg</i>	87	<i>Sieburg</i>
12	<i>Clerf</i>	51	<i>Landau</i>	88	<i>Sobernheim</i>
13-16	<i>Cologne</i>	52	<i>Ludwigshafen</i>	89	<i>Speicher</i>
17	<i>Dasburg</i>	53	<i>Lunebach</i>	90	<i>Speyer</i>
18	<i>Daun</i>	54-61	<i>Mainz</i>	91	<i>St Vith</i>
19	<i>Dumpelfeld</i>	62-64	<i>Mannheim</i>	92	<i>Stadtkyll</i>
20	<i>Ehrang</i>	65	<i>Mayen</i>	93	<i>Troisdorf</i>
21	<i>Euskirchen</i>	66	<i>Mechernich</i>	94	<i>Waxweiler</i>
22-24	<i>Frankfurt</i>	67	<i>Modrath</i>	95	<i>Wahlen</i>
25-26	<i>Fulda</i>	68	<i>Murlenbach</i>	96	<i>Wissembourg</i>
27	<i>Gemund</i>	69-70	<i>Neunkirchen</i>	97	<i>Wittlich</i>
28	<i>Gerolstein</i>	71	<i>Neuss</i>	98	<i>Worms</i>
29	<i>Haildraum</i>	72	<i>Hallschlag</i>	99	<i>Zulpich</i>
30	<i>Hallschlag</i>	73	<i>Niederbreisig</i>	100	<i>Zweibrucken</i>
31	<i>Hamm</i>	74	<i>Niedermendig</i>		
32	<i>Hanau</i>	75	<i>Niederlahnstein</i>		

TARGET FOR TODAY - BOMBERS OVER THE REICH, 1942 - 1945

Table 2-8A - 8th Air Force Flight Log Gazetteer

Target City	Zone 2	Zone 3	Zone 4	Zone 5	Zone 6	Zone 7	Zone 8
Abbeville	-2 / W	-1 / F					
Achern	-2 / W	-1 / B	-1 / B	-1 / B	-1 / L	0 / G	-1 / F-G
Achmer	-2 / W	-1 / W-N	-1 / N	-1 / N	0 / G		
Ahrweiler	-2 / W	-1 / W-N	-1 / N	0 / G	0 / G		
Albert	-2 / W	-1 / F					
Alm	-2 / W	-1 / W	-1 / W	-1 / W	-1 / W	0 / G	0 / G
Altenahr	-2 / W	-1 / W-N	1 / N	-1 / N-G	0 / G		
Altenbeken	-2 / W	-1 / W	1 / W-N	-1 / N	-1 / N-G	0 / G	
Alzey	-2 / W	-1 / B	-1 / B	-1 / B	0 / G	0 / G	0 / G
Amiens	-2 / W	-1 / W-F	-1 / F	-1 / F			
Andemach	-2 / W	-1 / W-N	-1 / N	0 / G	0 / G		
Anklam	-2 / W	-1 / W	-1 / W	-1 / W	-1 / W	-1 / W	-1 / W
Ansbach	-2 / W	-1 / W-N	-1 / N	0 / G	0 / G	0 / G	0 / G
Antwerp	-2 / W	-1 / B	0 / B				
Arnimswalde	-2 / W	-1 / W	-1 / N	-1 / N	0 / G	0 / G	0 / G
Arnsberg	-2 / W	-1 / W-N	-1 / N	0 / G	0 / G		
Aschaffenburg	-2 / W	-1 / B	-1 / B	-1 / B	0 / G	0 / G	0 / G
Aschersleben	-2 / W	-1 / W-N	1 / N	-1 / N-G	0 / G	0 / G	0 / G
Augsburg	-2 / W	-1 / B	-1 / B	-1 / B	0 / G	0 / G	0 / G
Auskirchen	-2 / W	-1 / W-N	-1 / B-N	0 / G	0 / G		
Avord	-2 / W	0 / F	-1 / F	-1 / F	-1 / F	-1 / F	-1 / F
Bad Kreuznach	-2 / W	-1 / W-N	-1 / B	-1 / B	0 / G	0 / G	0 / G
Bad Munster	-2 / W	-1 / B	-1 / B	-1 / B	0 / G	0 / G	0 / G
Bamberg	-2 / W	-1 / W	1 / W-N	-1 / N	-1 / N-G	0 / G	0 / G
Basdorf	-2 / W	-1 / W	-1 / N	-1 / N	0 / G	0 / G	0 / G
Beaumont-le-Roger	-2 / W	-1 / W	-1 / F	-1 / F			
Beaumont-sur-Oise	-2 / W	0 / F	-1 / F	-1 / F			
Beauvais	-2 / W	0 / F	-1 / F	-1 / F			
Bebra	-2 / W	-1 / W-N	-1 / N	-1 / N-G	0 / G	0 / G	0 / G
Belfort	-2 / W	-1 / B	-1 / B	-1 / B	-1 / F	-1 / F	-1 / F
Bergen	-2 / W	-2 / W	-2 / W	-2 / W	-2 / W	-2 / W	-2 / W
Bergerac	NA / E	-2 / W	-1 / W	0 / W-F	-1 / F	-1 / F	-1 / F
Berlin	-2 / W	-1 / W	-1 / N	-1 / N	0 / G	0 / G	0 / G
Bernburg	-2 / W	-1 / W-N	1 / N	-1 / N-G	0 / G	0 / G	0 / G
Bettembourg	-2 / W	-1 / B	-1 / B	-1 / B	0 / L		
Biarritz	NA / E	NA / E	-2 / W	-1 / W	-1 / F	-1 / F	-1 / F
Bielefeld	-2 / W	-1 / W	-1 / N	-1 / N	0 / G	0 / G	
Bilbis	-2 / W	-1 / W-N	-1 / B	-1 / N	0 / G	0 / G	0 / G
Bingen	-2 / W	-1 / W-N	-1 / B	-1 / N	0 / G	0 / G	0 / G

Zone 9	Zone 10	Zone 11	Zone 12	Zone 13	Zone 14	Zone 15	Target City
							Abbeville
0 / G							Achern
							Achmer
							Ahrweiler
							Albert
							Alm
							Altenahr
							Altenbeken
							Alzey
							Amiens
							Andemach
0 / G	0 / W-G	0 / G	0 / W-G				Anklam
0 / G	0 / G						Ansbach
							Antwerp
0 / G	0 / G	0 / G					Arnimswalde
							Arnsberg
							Aschaffenburg
0 / G							Aschersleben
0 / G	0 / G	0 / G					Augsburg
							Auskirchen
							Avord
							Bad Kreuznach
							Bad Munster
0 / G	0 / G						Bamberg
0 / G	0 / G	+1 / G					Basdorf
							Beaumont-le-Roger
							Beaumont-sur-Oise
							Beauvais
							Bebra
-1 / F-S							Belfort
-2 / W	-2 / W	-2 / W	-1 / W-No				Bergen
-1 / F	-1 / F	-1 / F	-1 / F				Bergerac
0 / G	0 / G	+1 / G					Berlin
0 / G	0 / G						Bernburg
							Bettembourg
-1 / F	-1 / F	-1 / F	0 / W-F	-1 / F			Biarritz
							Bielefeld
							Bilbis
							Bingen

TARGET FOR TODAY - BOMBERS OVER THE REICH, 1942 - 1945

Table 2-8A (continued) - 8th Air Force Flight Log Gazetteer

Target City	Zone 2	Zone 3	Zone 4	Zone 5	Zone 6	Zone 7	Zone 8
Bischoffsheim	-2 / W	-1 / B	-1 / B	-1 / B	0 / L	-1 / F	0 / G
Bitburg	-2 / W	-1 /W-N	-1 / B	-1 / B	0 / G	0 / G	
Bitterfeld	-2 / W	-1 / W	-1 / N	-1 / N	0 / G	0 / G	0 / G
Blaineville-sur-L'Eau	-2 / W	-1 / B	-1 / B	-1 / B	-1 / F	-1 / F	-1 / F
Blankenheim	-2 / W	-1 /W-N	-1 / B	-1 / B	0 / G		
Bochum	-2 / W	-1 / W	-1 /W-N	-1 / N	+1 / G		
Bohlen	-2 / W	-1 /W-N	-1 / N	-1 / N	0 / G	0 / G	0 / G
Bois de la Justice	-2 / W	-1 / W	-1 / F	-1 / F			
Bonn	-2 / W	-1 /W-N	-1 / N	0 / G	0 / G		
Bordeaux	NA / E	NA / E	-2 / W	-1 / W	-1 / F	-1 / F	-1 / F
Bottrop	-2 / W	-1 / W	-1 /W-N	-1 / N	+1 / G		
Bourges	-2 / W	0 / F	-1 / F	-1 / F	-1 / F	-1 / F	
Brandenburg	-2 / W	-1 / W	-1 / N	-1 / N	0 / G	0 / G	0 / G
Brecourt	NA / E	NA / E	-1 / W	-1 / F			
Bremen	-2 / W	-1 / W	-1 / W	-1 / W	-1 / W	0 / G	
Brest	NA / E	NA / E	NA / E	-2 / W	-1 / W	-1 / W	-1/F-W
Bruhl	-2 / W	-1 /W-N	-1 / N	0 / G	0 / G		
Brunswick	-2 / W	-1 / W	-1 / N	-1 / N	0 / G	0 / G	0 / G
Brussels	-2 / W	-1 /W-B	-1 / B				
Brux	-2 / W	-1 /W-N	-1 / N	0 / G	0 / G	0 / G	0 / G
Bullay	-2 / W	-1 / B	-1 / B	-1 / B	0 / G		
Burg-Reuland	-2 / W	-1 /W-N	-1 / B	-1 / B			
Caen	NA / E	NA / E	-2 / W	-1 /W-F			
Castrop	-2 / W	-1 /W-N	-1 / N	0 / G	+1 / G		
Cayeaux	-2 / W	0 /W-F					
Chalons-sur-Marne	-2 / W	-1 / B	-1 / F	-1 / F	-1 / F	-1 / F	
Chateaudun	-2 / W	-1 / W	-1 / F	-1 / F	-1 / F		
Chateauxroux	-2 / W	-1 / W	-1 / F	-1 / F	-1 / F	-1 / F	-1 / F
Chatres	-2 / W	-1 / W	-1 / F	-1 / F	-1 / F		
Chaumont	-2 / W	-1 / W	-1 / F	-1 / F	-1 / F	-1 / F	
Chemnitz	-2 / W	-1 /W-N	-1 / N	0 / G	0 / G	0 / G	0 / G
Cherbourg	NA / E	NA / E	-2 / W	0 /W-F			
Clerf	-2 / W	-1 / B	-1 / B	-1 /B-L			
Clermont-Ferrand	-2 / W	-1 / W	-1 / F	-1 / F	-1 / F	-1 / F	-1 / F
Cognac	NA / E	NA / E	-2 / W	-1 / F	-1 / F	-1 / F	-1 / F
Cologne	-2 / W	-1 / W	-1 / N	0 / G	0 / G		
Conches	NA / E	-2 / W	-1 / W	-1 / F	-1 / F		
Cottbus	-2 / W	-1 / W	-1 / N	-1 / N	0 / G	0 / G	0 / G
Courcelles-sur-Seine	-2 / W	-1 / W	-1 / F	-1 / F			

Zone 9	Zone 10	Zone 11	Zone 12	Zone 13	Zone 14	Zone 15	Target City
							Bischoffsheim
							Bitburg
0 / G	0 / G						Bitterfeld
							Blaineville-sur-L'Eau
							Blankenheim
							Bochum
0 / G	0 / G						Bohlen
							Bois de la Justice
							Bonn
-1 / F	-1 / F	-1 / F	-1 / F				Bordeaux
							Bottrop
							Bourges
0 / G	0 / G	+1 / G					Brandenburg
							Brecourt
							Bremen
							Brest
							Bruhl
							Brunswick
							Brussels
0 / G	0 / G	0 / G	0 / Cz				BruX
							Bullay
							Burg-Reuland
							Caen
							Castrop
							Cayeaux
							Chalons-sur-Marne
							Chateaudun
-1 / F							Chateauxroux
							Chatres
							Chaumont
0 / G	0 / G	0 / G					Chemnitz
							Cherbourg
							Clerf
-1 / F	-1 / F						Clermont-Ferrand
-1 / F	-1 / F						Cognac
							Cologne
							Conches
0 / G	0 / G	0 / G	0 / G				Cottbus
							Courcelles-sur-Seine

TARGET FOR TODAY - BOMBERS OVER THE REICH, 1942 - 1945

Table 2-8A (continued) - 8th Air Force Flight Log Gazetteer

Target City	Zone 2	Zone 3	Zone 4	Zone 5	Zone 6	Zone 7	Zone 8
Courtrai	-2 / W	-1 /W-B	0 / B				
Creil	-2 / W	-1 /W-F	-1 / F	-1 / F			
Darmstadt	-2 / W	-1 /W-N	-1 / B	-1 / N	0 / G	0 / G	0 / G
Dasburg	-2 / W	-1 / B	-1 / B	-1 /B-L	0 / G		
Daun	-2 / W	-1 /W-N	-1 / B	-1 /B	0 / G		
Denain	-2 / W	0 / F	-1 / F				
Dessau	-2 / W	-1 / W	-1 / N	-1 / N	0 / G	0 / G	0 / G
Diepholz	-2 / W	-1 / W	-1 / N	-1 N-G	0 / G	0 / G	
Dieppe	NA / E	-2 / W	-1 / W	0 / W-F			
Diest	-2 / W	-1 / B	0 / B	0 / B			
Dijon	-2 / W	0 / F	-1 / F	-1 / F	-1 / F	-1 / F	-1 / F
Dollbergen	-2 / W	-1 / W	-1 / W	-1 / W	-1 / N	0 / G	0 / G
Dortmund	-2 / W	-1 /W-N	-1 / N	0 / G	+1 / G		
Dresden	-2 / W	-1 /W-N	-1 / N	0 / G	0 / G	0 / G	0 / G
Droinville	-2 / W	0 / F	-1 / F	-1 / F			
Duisburg	-2 / W	-1 /W-N	-1 / N	+1 / G			
Dulmen	-2 / W	-1 /W-N	-1 / N	-1 / N	0 / G		
Dumpelfeld	-2 / W	-1 / B	-1 / B	-1 / B	0 / G	0 / G	
Duren	-2 / W	-1 / W	-1 / B	-1 / B-N	0 / G		
Dusseldorf	-2 / W	-1 /W-N	0 / N-G	+1 / G			
Ecalles-sur-Burchy	-2 / W	-1 / W	-1 / F	-1 / F			
Eclimeaux	-2 / W	-1 / F					
Ehrang	-2 / W	-1 / B	-1 / B	-1 /B-L	0 / G	0 / G	
Ehren	-2 / W	-1 /W-N	0 / N-G	0 / G	+1 / G		
Elberfeld	-2 / W	-1 /W-N	0 / N-G	0 / G	0 / G		
Emden	-2 / W	-1 / W	-1 / W	-1 / W	0 / W	0 / G	
Engers	-2 / W	-1 / W	-1 / B	-1 / B	0 / G	0 / G	
Epinal	-2 / W	-1 / B	-1 / B	-1 / B	-1 / F	-1 / F	-1 / F
Erding	-2 / W	-1 /W-N	-1 / B	-1 / N	0 / G	0 / G	0 / G
Eschwege	-2 / W	1/W- N	-1 / N	-1 /N-G	0 / G	0 / G	0 / G
Eschweiler	-2 / W	-1 /W-N	-1 / B	-1 /B-N	0 / G		
Etampes	-2 / W	-1 / F	-1 / F	-1 / F	-1 / F		
Ettinghausen	-2 / W	-1 /W-N	-1 / N	0 / G	0 / G	0 / G	
Euskirchen	-2 / W	-1 / W	-1 / B	-1 / B	0 / G		
Evere	-2 / W	0 / F	-1 / F	-1 / F	-1 / F		
Evreaux	NA / E	-2 / W	-1 / W	-1 / F			
Fecamp	NA / E	NA / E	-2 / W	-1 /W-F			
Flensburg	-2 / W	-1 / W	-1 / W	-1 / W	-1 / W	0 / W	0 / G
Florennes	-2 / W	-1 / B	-1 / B				

Zone 9	Zone 10	Zone 11	Zone 12	Zone 13	Zone 14	Zone 15	Target City
							Courtrai
							Creil
							Darmstadt
							Dasburg
							Daun
							Denain
0 / G	0 / G						Dessau
							Diepholz
							Dieppe
							Diest
							Dijon
							Dollbergen
							Dortmund
0 / G	0 / G	0 / G					Dresden
							Drainville
							Duisburg
							Dulmen
							Dumpelfeld
							Duren
							Dusseldorf
							Ecalles-sur-Burchy
							Eclimeaux
							Ehrang
							Ehren
							Elberfeld
							Emden
							Engers
							Epinal
0 / G	0 / G	0 / G					Erding
							Eschwege
							Eschweiler
							Etampes
							Ettinghausen
							Euskirchen
							Evere
							Evreaux
							Fecamp
							Flensburg
							Florennes

TARGET FOR TODAY - BOMBERS OVER THE REICH, 1942 - 1945

Table 2-8A (continued) - 8th Air Force Flight Log Gazetteer

Target City	Zone 2	Zone 3	Zone 4	Zone 5	Zone 6	Zone 7	Zone 8
Flushing	-2 / W	0 / W-N					
Frankfurt	-2 / W	-1 / B	-1 / B	-1 / B	0 / G	0 / G	
Freiburg	-2 / W	-1 / B	-1 / B	-1 / B	-1 / B-F	-1 / F	-1 / F
Friedrichshafen	-2 / W	-1 / B	-1 / B	-1 / B	-1 / L	0 / G	0 / G
Fulda	-2 / W	-1 / W-N	-1 / N	-1 / N-G	0 / G	0 / G	0 / G
Furth	-2 / W	-1 / B	-1 / B	-1 / B	0 / G	0 / G	0 / G
Gablingen	-2 / W	-1 / W-N	-1 / B	-1 / B	0 / G	0 / G	0 / G
Gaggenau	-2 / W	-1 / W-N	-1 / B	-1 / B-L	0 / G	0 / G	0 / G
Gelsenkirchen	-2 / W	-1 / W-N	-1 / N	0 / N-G	+1 / G		
Gemund	-2 / W	-1 / W-N	-1 / B	-1 / B-L	0 / L-G		
Gera	-2 / W	-1 / W-N	-1 / N	-1 / N-G	0 / G	0 / G	0 / G
Germersheim	-2 / W	-1 / W-N	-1 / B	-1 / B	0 / G	0 / G	0 / G
Gerolstein	-2 / W	-1 / W-N	-1 / B	-1 / B-L	0 / L-G		
Giebelstadt	-2 / W	-1 / B	-1 / B	-1 / B	0 / G	0 / G	0 / G
Giessen	-2 / W	-1 / W	-1 / N	0 / G	0 / G	0 / G	
Gilze-Rijen	-2 / W	-1 / W-N	0 / N				
Glacerie	NA / E	NA / E	-2 / W	0 / W-F			
Gneisenau	-2 / W	-1 / W	-1 / W	-1 / W	-1 / W	0 / W	0 / G
Gotha	-2 / W	-1 / W-N	-1 / N	0 / G	0 / G	0 / G	0 / G
Grand Parc	NA / E	-2 / W	-1 / W	-1 / F	-1 / F		
Grossostheim	-2 / W	-1 / B	-1 / B	-1 / B	0 / G	0 / G	
Gustavsburg	-2 / W	-1 / W-N	-1 / B	-1 / B-N	0 / G	0 / G	0 / G
Gutersloh	-2 / W	-1 / W	-1 / N	-1 / N	0 / G	0 / G	
Gdynia	-2 / W	-1 / W	-1 / W	-1 / W	-1 / W	0 / W	0 / G
Gymnich	-2 / W	-1 / W-N	-1 / N	0 / G	0 / G		
Hagen	-2 / W	-1 / W-N	-1 / N	0 / G	+1 / G		
Haildraum	-2 / W	-1 / W-N	-1 / B	-1 / B	0 / G	0 / G	0 / G
Halberstadt	-2 / W	-1 / W	-1 / N	-1 / N	0 / G	0 / G	0 / G
Halle	-2 / W	-1 / W	-1 / N	-1 / N	0 / G	0 / G	0 / G
Hallendorf	-2 / W	-1 / W	-1 / N	-1 / N	0 / G	0 / G	0 / G
Hallschlag	-2 / W	-1 / W-N	-1 / B	-1 / B	0 / G		
Hamburg	-2 / W	-1 / W	-1 / W	-1 / W	-1 / W	0 / G	0 / G
Hamm	-2 / W	-1 / W	-1 / W	0 / N	0 / G		
Hanau	-2 / W	-1 / B	-1 / B	-1 / B	0 / G	0 / G	0 / G
Handorf	-2 / W	-1 / W	-1 / W	-1 / W	-1 / W	0 / G	0 / G
Hannover	-2 / W	-1 / W	-1 / W	-1 / W	-1 / N	0 / G	0 / G
Heilbronn	-2 / W	-1 / W-N	-1 / B	-1 / B	0 / G	0 / G	0 / G
Heimbach	-2 / W	-1 / W-N	-1 / B	-1 / B	0 / G		
Hemmingstedt	-2 / W	-1 / W	-1 / W	-1 / W	-1 / W	-1 / W	0 / G

Zone 9	Zone 10	Zone 11	Zone 12	Zone 13	Zone 14	Zone 15	Target City
							Flushing
							Frankfurt
-1 / F	0 / G-S						Freiburg
0 / G	0 / G	0 / G					Friedrichshafen
							Fulda
0 / G	0 / G						Furth
0 / G	0 / G	0 / G					Gablingen
0 / G							Gaggenau
							Gelsenkirchen
							Gemund
0 / G	0 / G						Gera
							Germersheim
							Gerolstein
0 / G							Giebelstadt
							Giessen
							Gilze-Rijen
							Glacierie
-1/ W-G	-1/ W-G	0 / G	0 / G				Gneisenau
0 / G							Gotha
							Grand Parc
							Grossostheim
							Gustavsburg
							Gutersloh
+1 / W	0/W-G	0 / W	0 / W	0 / G	0 / G	0 / P	Gdynia
							Gymnich
							Hagen
							Haldraum
0 / G							Halberstadt
0 / G	0 / G						Halle
							Hallendorf
							Hallschlag
							Hamburg
							Hamm
							Hanau
							Handorf
							Hannover
0 / G							Heilbronn
							Heimbach
							Hemmingstedt

TARGET FOR TODAY - BOMBERS OVER THE REICH, 1942 - 1945

Table 2-8A (continued) - 8th Air Force Flight Log Gazetteer

Target City	Zone 2	Zone 3	Zone 4	Zone 5	Zone 6	Zone 7	Zone 8
Hemulheim	-2 / W	-1 /W-N	-1 / N	+1 / G			
Hermeskeil	-2 / W	-1 /W-N	-1 / B	-1 /B- L	0 / L-G	0 / G	
Heroya	-2 / W	-2 / W	-2 / W	-2 / W	-2 / W	-2 / W	-2 / W
Hildesheim	-2 / W	-1 / W	-1 / N	-1 / N	-1 / N	0 / G	0 / G
Hohenbudberg	-2 / W	-1 /W-N	-1 / N	+1 / G			
Homburg	-2 / W	-1 /W-N	-1 / B	-1 /B- L	0 / G	0 / G	
Hopstein	-2 / W	-1 / W	-1 / N	-1 / N	0 / G		
Huls	-2 / W	-1 / W	-1 /N-W	-1 /N-G			
Ijmuden	-2 / W	-1 /W-N					
Ingolstadt	-2 / W	-1 /N-W	-1 / B	-1 / B	0 /B-G	0 / G	0 / G
Irlich	-2 / W	-1 / W	-1 / B	-1 / B	0 / G	0 / G	
Jungenthal	-2 / W	-1 /N-W	-1 / N	-1 /N-G	0 / G	0 / G	
Juvincourt	-2 / W	-1 / B	-1 / F	-1 / F			
Kaiserlautern	-2 / W	-1 /W-N	-1 / B	-1 / B	0 / G	0 / G	0 / G
Kaiserstuhl	-2 / W	-1 / B	-1 / B	-1 / B	-1 /B-F	-1 / F	0 / G
Kall	-2 / W	-1 /W-N	-1 / B	-1 /B-N	0 / G		
Karlsruhe	-2 / W	-1 /W-N	-1 / B	-1 / B	0 / G	0 / G	0 / G
Kassel	-2 / W	-1 / W	1/W- N	-1 / N	-1/N-G	0 / G	0 / G
Kempernich	-2 / W	-1 /W-N	-1 / B	-1 /B-N	0 / G		
Kerlin	NA / E	NA / E	NA / E	-2 / W	-1 / W	-1 / W	+1 / F
Kiel	-2 / W	-1 / W	-1 / W	-1 / W	-1 / W	-1 / W	0 / G
Kirchgoens	-2 / W	-1 /N-W	-1 / N	-1 /N-G	0 / G	0 / G	0 / G
Kitzingen	-2 / W	-1 /W-N	-1 / N	0 / G	0 / G	0 / G	0 / G
Knaben	-2 / W	-2 / W	-2 / W	-2 / W	-2 / W	-2 / W	-2 / W
Koblenz	-2 / W	-1 / W	-1 / B	-1 / B-N	0 / G	0 / G	
Konigsburg	-2 / W	-1 / W	-1 / N	0 / G	0 / G	0 / G	0 / G
Kons Karthaus	-2 / W	-1 /W-B	-1 / B	-1 / B	-1 / L	0 / G	
Krefeld	-2 / W	-1 /W-N	-1 / N	0 /N-G			
Krzesinski	-2 / W	-1 / W	-1 / N	-1 / N	0 / G	0 / G	0 / G
Kyllburg	-2 / W	-1 /N-W	-1 / B	-1 / B	0 / G		
La Pallice	NA / E	-2 / W	-1 / W	-1 / F	-1 / F	-1 / F	-1 / F
La Roche	NA / E	NA / E	-2 / W	-1 /W-F	-1 / F	-1 / F	-1 / F
La Rochelle	NA / E	NA / E	-2 / W	-1 /W-F	-1 / F	-1 / F	-1 / F
Lachen	-2 / W	-1 /N-W	-1 / B	-1 / B	0 / G	0 / G	0 / G
Landau	-2 / W	-1 /N-W	-1 / B	-1 / B	0 / G	0 / G	0 / G
Landes de Bussac	NA / E	NA / E	-2 / W	-1 / W	-1 / F	-1 / F	-1 / F
Landsberg	-2 / W	-1 /N-W	-1 / B	-1 / B	0 / G	0 / G	0 / G
Laon	-2 / W	-1 /B-W	-1 / F	-1 / F			
Lauffen	-2 / W	-1 /N-W	-1 / B	-1 / B	0 / G	0 / G	0 / G

Zone 9	Zone 10	Zone 11	Zone 12	Zone 13	Zone 14	Zone 15	Target City
							Hemulheim
							Hermeskeil
-2 / W	-2 / W	-2 / W	-2 / W	-2 / W-No	-2 / W-No	-1 / W-No	Heroya
							Hildesheim
							Hohenbudberg
							Homburg
							Hopstein
							Huls
							Ijmuden
0 / G	0 / G	0 / G					Ingolstadt
							Irlich
							Jungenthal
							Juvincourt
							Kaiserlautern
							Kaiserstuhl
							Kall
							Karlsruhe
							Kassel
							Kempnich
							Kerlin
							Kiel
							Kirchgoens
0 / G							Kitzingen
-2 / W	0 / No						Knaben
							Koblenz
0 / G							Konigsburg
							Kons Karthaus
							Krefeld
0 / G	0 / G	0 / G	0 / G	0 / G	0 / P		Krzesinski
							Kyllburg
-1 / F							La Pallice
-1 / F							La Roche
-1 / W-F							La Rochelle
0 / G	0 / G	0 / G					Lachen
							Landau
-1 / F	-1 / F	-1 / F	-1 / F				Landes de Bussac
0 / G	0 / G	0 / G					Landsberg
							Laon
0 / G							Lauffen

TARGET FOR TODAY - BOMBERS OVER THE REICH, 1942 - 1945

Table 2-8A (continued) - 8th Air Force Flight Log Gazetteer

Target City	Zone 2	Zone 3	Zone 4	Zone 5	Zone 6	Zone 7	Zone 8
Le Mans	NA / E	-2 / W	-1 / W	-1 / F	-1 / F		
Lebach	-2 / W	-1 /W-B	-1 / B	-1 / B	-1 / L	0 / G	
Lechfeld	-2 / W	-1 / B	-1 / B	-1 / B	0 / G	0 / G	0 / G
Lehrte	-2 / W	-1 / W	-1 / W	-1 / W	-1 / N	0 / G	0 / G
Leipheim	-2 / W	-1 / B	-1 / B	-1 / B	0 / G	0 / G	0 / G
Leipzig	-2 / W	-1 /W-N	-1 / N	0 / G	0 / G	0 / G	0 / G
Leverkusen	-2 / W	-1 / W	-1 / N	0 / G	0 / G		
Liege	-2 / W	-1 /N-W	-1 / B	-1 / B			
Lille	-2 / W	-1 / B	-1 / F				
Lippstadt	-2 / W	-1 / W	-1 / W	0 / N	0 / G	0 / G	
Lorient	NA / E	NA / E	NA / E	-2 / W	-1 / W	-1 / W	-1 / F
Ludwigshafen	-2 / W	-1 / B	-1 / B	-1 / B	0 / G	0 / G	0 / G
Lunebach	-2 / W	-1 / B	-1 / B	-1 / B	0 / G		
Luneberg	-2 / W	-1 / W	-1 / W	-1 / W	-1 / W	0 / G	0 / G
Luxembourg City	-2 / W	-1 /W-B	-1 / B	-1 / B	-1 / L		
Luxeuil	-2 / W	-1 / B	-1 / B	-1 / B	-1 / F	-1 / F	-1 / F
Leverkusen	-2 / W	-1 / W	-1 / N	0 / G	0 / G		
Lyon	-2 / W	-1 / W	-1 / F	-1 / F	-1 / F	-1 / F	-1 / F
Magdeburg	-2 / W	-1 / W	-1 / N	-1 / N	0 / G	0 / G	0 / G
Mainz	-2 / W	-1 / B	-1 / B	-1 / B	0 / G	0 / G	0 / G
Maldegem	-2 / W	-1 / B					
Mannheim	-2 / W	-1 /W-N	-1 / B	-1 / B	0 / G	0 / G	0 / G
Mardyck	-2 / W	0 / F					
Marienburg	-2 / W	-1 / W	-1 / W	-1 / W	-1 / W	0 / W	0 / G
Marquise	-2 / W	-1 /W-F					
Marscheid	-2 / W	-1 /W-N	-1 / B	-1 / B	0 / G	0 / G	
Marseilles	-2 / W	-1 /W-F	-1 / F	-1 / F	-1 / F	-1 / F	-1 / F
Maximiliansu	-2 / W	-1 /W-N	-1 / B	-1 / B	0 / G	0 / G	0 / G
Mayen	-2 / W	-1 / W	-1 / B	-1 / B	0 / G		
Meaulte	-2 / W	-1 /W-F	-1 / F	-1 / F			
Mechernich	-2 / W	-1 / W	-1 / B	-1 / B	0 / G		
Melun	-2 / W	-1 /W-F	-1 / F	-1 / F	-1 / F		
Merseburg	-2 / W	-1 /W-N	-1 / N	0 / G	0 / G	0 / G	0 / G
Merville	-2 / W	0 / F					
Merzhausen	-2 / W	-1 / B	-1 / B	-1 / B	-1 /B-F	-1 / F	-1 / F
Meschede	-2 / W	-1 /W-N	-1 / N	0 / G	+1 / G	+1 / G	
Metz	-2 / W	-1 / B	-1 / B	-1 / B	-1 /B-G		
Meulan	-2 / W	0 / F	-1 / F	-1 / F			
Minden	-2 / W	-1 / W	-1 / W	-1 / W	-1 / N	0 / G	

Zone 9	Zone 10	Zone 11	Zone 12	Zone 13	Zone 14	Zone 15	Target City
							Le Mans
							Lebach
0 / G	0 / G	0 / G					Lechfeld
							Lehrte
0 / G	0 / G						Leipheim
0 / G	0 / G						Leipzig
							Leverkusen
							Liege
							Lille
							Lippstadt
-1 / F							Lorient
							Ludwigshafen
							Lunebach
							Luneberg
							Luxembourg City
0/F-S							Luxeuil
							Leverkusen
-1 / F	-1 / F	-1 / F					Lyon
0 / G							Magdeburg
							Mainz
							Maldegem
							Mannheim
							Mardyck
+1 / W	0/W-G	0 / G	0 / G	0 / G	0 / G	0 / G	Marienburg
							Marquise
							Marscheid
-1 / F	-1 / F	-1 / F	-1 / F	-1 / F			Marseilles
							Maximiliansu
							Mayen
							Meaulte
							Mechernich
							Melun
0 / G	0 / G						Merseburg
							Merville
-1 / F	0 / G-S						Merzhausen
							Meschede
							Metz
							Meulan
							Minden

TARGET FOR TODAY - BOMBERS OVER THE REICH, 1942 - 1945

Table 2-8A (continued) - 8th Air Force Flight Log Gazetteer

Target City	Zone 2	Zone 3	Zone 4	Zone 5	Zone 6	Zone 7	Zone 8
Modrath	-2 / W	-1 / W	-1 / N	0 / G	0 / G		
Monheim	-2 / W	-1 / W	-1 / N	0 / G	0 / G		
Mont de Marson	NA / E	-2 / W	-1 / W	-1 / F	-1 / F	-1 / F	-1 / F
Mücheln	-2 / W	-1 / W	-1 / W	-1 / W	-1 / W	-1 / W	0 / G
Mulhouse	-2 / W	-1 / B	-1 / B	-1 / B	-1 / F	-1 / F	-1 / F
Munich	-2 / W	-1 /W-N	-1 / B	-1 / B	0 / G	0 / G	0 / G
Munster	-2 / W	-1 /W-N	1 / N	-1/N-G	0 / G		
Murlenbach	-2 / W	-1 /W-N	-1 / B	-1 / B	0 / G		
Nancy	-2 / W	-1 / B	-1 / B	-1 / B	-1 / F	-1 / F	-1 / F
Nantes	NA / E	NA / E	NA / E	-2 / W	-1 / W	-1 / F	-1 / F
Neubrandenburg	-2 / W	-1 / W	-1 / W	-1 / W	-1 / W	-1 / W	-1 / W
Neuburg	-2 / W	-1 /W-N	-1 / B	-1 / N	0 / G	0 / G	0 / G
Neumarkt	-2 / W	-1 / B	-1 / B	-1 / B	0 / G	0 / G	0 / G
Neumunster	-2 / W	-1 / W	-1 / W	-1 / W	-1 / W	-1 / W	0 / G
Neunkirchen	-2 / W	-1 /W-B	-1 / B	-1 /B-N	-1 / L	0 / G	
Neuss	-2 / W	-1 /W-N	0 / N-G	+1 / G			
Neuwied	-2 / W	-1 / W	-1 / B	-1 / B	0 / G	0 / G	
Nidda	-2 / W	-1 / W	-1 / N	0 / G	0 / G	0 / G	0 / G
Niederbreisig	-2 / W	-1 / W	-1 / B	-1 /B-N	0 / G		
Niederlahnstein	-2 / W	-1 / W	-1 / B	-1 /B-N	0 / G	0 / G	
Niedermendig	-2 / W	-1 / W	-1 / B	-1 /B-N	0 / G		
Nordstern	-2 / W	-2 / W	-2 / W	-2 / W	-2 / W	-2 / W	-2 / W
Nuremberg	-2 / W	-1 / B	-1 / B	-1 / B	0 / G	0 / G	0 / G
Oberlahnstein	-2 / W	-1 / W	-1 / B	-1 / B-N	0 / G	0 / G	
Oberpfaffenhofen	-2 / W	-1 /W-N	-1 / B	-1 / B	0 / G	0 / G	0 / G
Offenburg	-2 / W	-1 / B	-1 / B	-1 / B	-1 / L	0 / F-G	0 / F-G
Oldenburg	-2 / W	-1 / W	-1 / W	-1 / W	-1 / W	0 / G	
Oranienburg	-2 / W	-1 / W	-1 / N	-1 / N	0 / G	0 / G	0 / G
Orleans-Bricy	-2 / W	-1 / W	-1 / F	-1 / F	-1 / F	-1 / F	
Oschersleben	-2 / W	-1 / W	1/W- N	-1 / N	-1/N-G	0 / G	0 / G
Osnabruck	-2 / W	-1 / W	-1 / N	-1 / N	0 / G		
Oudler	-2 / W	-1 /W-N	-1 / B	-1 / B			
Paderborn	-2 / W	-1 /W-N	-1 / N	-1 / N	0 / G	0 / G	
Paris	-2 / W	0 / F	-1 / F	-1 / F	-1 / F		
Pau-Pont-Long	NA / E	NA / E	-2 / W	-1 / W	-1 / F	-1 / F	-1 / F
Peine	-2 / W	-1 / W	-1 / W	-1 / W	-1 / N	0 / G	0 / G
Pelm	-2 / W	-1 /W-N	-1 / B	-1 / B	0 / G		
Pforzheim	-2 / W	-1 /W-N	-1 / B	-1 / B	0 / G	0 / G	0 / G
Pirmasens	-2 / W	-1 / B	-1 / B	-1 / B	-1 / B-L	0 / G	

Zone 9	Zone 10	Zone 11	Zone 12	Zone 13	Zone 14	Zone 15	Target City
							Modrath
							Monheim
-1 / F	-1 / F	-1 / F	-1 / F	-1 / F			Mont de Marson
0 / G							Mücheln
-1 / F-S							Mulhouse
0 / G	0 / G	0 / G					Munich
							Munster
							Murlenbach
							Nancy
							Nantes
0 / G	0 / W-G	0 / G					Neubrandenburg
0 / G	0 / G	0 / G					Neuburg
0 / G	0 / G						Neumarkt
							Neumunster
							Neunkirchen
							Neuss
							Neuwied
							Nidda
							Niederbreisig
							Niederlahnstein
							Niedermendig
-2 / W	0/W-No	0 / No	0 / No	0 / No	0 / No	0 / No	Nordstern
0 / G							Nuremberg
							Oberlahnstein
0 / G	0 / G	0 / G					Oberpfaffenhofen
0 / G							Offenburg
							Oldenburg
0 / G	0 / G	+1 / G					Oranienburg
							Orleans-Bricy
0 / G							Oschersleben
							Osnabruck
							Oudler
							Paderborn
							Paris
-1 / F	-1 / F	-1 / F	-1 / F	-1 / F			Pau-Pont-Long
							Peine
							Pelm
							Pforzheim
							Pirmasens

TARGET FOR TODAY - BOMBERS OVER THE REICH, 1942 - 1945

Table 2-8A (continued) - 8th Air Force Flight Log Gazetteer

Target City	Zone 2	Zone 3	Zone 4	Zone 5	Zone 6	Zone 7	Zone 8
Plauen	-2 / W	-1 /W-N	-1 / N	0 / N-G	+1 / G	0 / G	0 / G
Poix	NA / E	-2 / W	-1 / W	-1 / F	-1 / F		
Politz	-2 / W	-1 / W	-1 / W	-1 / W	-1 / W	0 / G	0 / G
Posen	-2 / W	-1 / W	-1 / N	-1 / N	0 / G	0 / G	0 / G
Pronsfeld	-2 / W	-1 /W-N	-1 / B	-1 / B	0 / G		
Prum	-2 / W	-1 /W-N	-1 / B	-1 / B	0 / G		
Quackenbruck	-2 / W	-1 / W	-1 / N	-1 / N	0 / G		
Rahmel	-2 / W	-1 / W	-1 / W	-1 / W	-1 / W	0 / W	0 / G
Rastatt	-2 / W	-1 / B	-1 / B	-1 / B	-1 / B-L	0 / G	0 / G
Rathenow	-2 / W	-1 / W	-1 / N	-1 / N	0 / G	0 / G	0 / G
Recklinghausen	-2 / W	-1 / W	1/W- N	-1 / N	+1 / G		
Regensburg	-2 / W	-1 / B	-1 / B	-1 / B	0 / G	0 / G	0 / G
Reims	-2 / W	-1 / B	-1 / F	-1 / F			
Reisholz	-2 / W	-1 /W-N	0 / N-G	+1 / G			
Remagen	-2 / W	-1 / W	-1 / B	-1 / B-N	0 / G		
Rendsburg	-2 / W	-1 / W	-1 / W	-1 / W	-1 / W	-1 / W	0 / G
Rennes	NA / E	NA / E	NA / E	-2 / W	-1 /W	-1 / F	-1 / F
Reutlingen	-2 / W	-1 /W-N	-1 / B	-1 / B	0 / G	0 / G	0 / G
Rheine	-2 / W	-1 / W	-1 / N	-1 / N	0 / G		
Rjukan	-2 / W	-2 / W	-2 / W	-2 / W	-2 / W	-2 / W	-2 / W
Rodenkirchen	-2 / W	-1 / W	-1 / N	0 / G	0 / G		
Romilly-sur-Seine	-2 / W	0 / F	-1 / F	-1 / F	-1 / F		
Rostock	-2 / W	-1 / W	-1 / W	-1 / W	-1 / W	-1 / W	-1 / W
Rotenburg	-2 / W	-1 / W	-1 / W	-1 / W	-1 / W	0 / G	0 / G
Rotterdam	-2 / W	-1 / W	0 / W-N				
Rouen	NA / E	-2 / W	-1 / W	-1 / F			
Rudesheim	-2 / W	-1 /W-N	-1 / B	-1 /B-N	0 / G	0 / G	0 / G
Ruhland	-2 / W	-1 / W	-1 / N	-1 / N	0 / G	0 / G	0 / G
Saarbrucken	-2 / W	-1 / B	-1 / B	-1 / B	-1 / L	0 / G	
Sarreguemines	-2 / W	-1 / B	-1 / B	-1 / B	-1 / L	0 / F-G	
Saarlautern	-2 / W	-1 / B	-1 / B	-1 / B	-1 / L	0 / G	
Saint-Andre de l'eure	NA / E	-2 / W	-1 / W	-1 / F			
Saint-Dizier	-2 / W	-1 / B	-1 / F	-1 / F	-1 / F	-1 / F	
Saint-Jean-d'Angely	NA / E	-2 / W	-1 / W	-1 / F	-1 / F	-1 / F	-1 / F
Saint-Nazaire	NA / E	NA / E	-2 / W	-1 / W	-1 / F	-1 / F	+1 / F
Saint-Omer	-2 / W	0 /W-F					
Saint-Pol/Siracourt	-2 / W	0 / F					
Saint-Valery	NA / E	NA / E	-2 / W	-1 /W-F			
Salzbergen	-2 / W	-1 / W	-1 / N	-1 / N	0 / G		

Zone 9	Zone 10	Zone 11	Zone 12	Zone 13	Zone 14	Zone 15	Target City
0 / G	0 / G						Plauen
							Poix
							Politz
0 / G	0 / G	+1 / G	0 / G	0 / G	0 / G		Posen
							Pronsfeld
							Prum
							Quackenbruck
+1 / W	0 / W-G	0 / W	0 / W	0 / G	0 / G	0 / P	Rahmel
0 / G							Rastatt
0 / G	0 / G						Rathenow
							Recklinghausen
0 / G	0 / G	+1 / G					Regensburg
							Reims
							Reisholz
							Remagen
							Rendsburg
							Rennes
0 / G							Reutlingen
							Rheine
-2 / W	0 / W-No	0 / No	0 / No				Rjukan
							Rodenkirchen
							Romilly-sur-Seine
0 / G	0 / W-G						Rostock
							Rotenburg
							Rotterdam
							Rouen
							Rudesheim
0 / G	0 / G	0 / G					Ruhland
							Saarbrücken
							Sarreguemines
							Saarlautern
							Saint-Andre de l'eure
							Saint-Dizier
-1 / F	-1 / F						Saint-Jean-d'Angely
							Saint-Nazaire
							Saint-Omer
							Saint-Pol/Siracourt
							Saint-Valery
							Salzbergen

TARGET FOR TODAY - BOMBERS OVER THE REICH, 1942 - 1945

Table 2-8A (continued) - 8th Air Force Flight Log Gazetteer

Target City	Zone 2	Zone 3	Zone 4	Zone 5	Zone 6	Zone 7	Zone 8
Salzwedel	-2 / W	-1 / W	-1 / N	-1 / N	0 / G	0 / G	0 / G
Schleiden	-2 / W	-1 /W-N	-1 / B	-1 / N	0 / G		
Scholven	-2 / W	-1 /W-N	-1 / N	0 / G	+1 / G		
Schonberg	-2 / W	-1 /W-N	-1 / B	-1 / B	0 / G		
Schwabisch Hall	-2 / W	-1 /W-N	-1 / B	-1 / B	0 / G	0 / G	0 / G
Schweinfurt	-2 / W	-1 / W	1/W- N	-1 / N	-1/N-G	0 / G	0 / G
Schwerte	-2 / W	-1 /W-N	-1 / N	0 / G	+1 / G		
Sieburg	-2 / W	-1 / W	-1 / B	-1 / B-N	0 / G		
Siegen	-2 / W	-1 /W-N	0 / N-G	+1 / G	0 / G	0 / G	
Sinzig	-2 / W	-1 / W	-1 / B	-1 / B-N	0 / G		
Sobernheim	-2 / W	-1 /W-N	-1 / B	-1 / B	0 / G	0 / G	
Soest	-2 / W	-1 / W	1/W- N	-1 / N	-1/N-G	0 / G	
Solingen	-2 / W	-1 / W	-1 /N-W	-1 / N	0 / G		
Sorau	-2 / W	-1 / W	-1 / N	-1 / N	0 / G	0 / G	0 / G
Sottevast	NA / E	NA / E	-2 / W	0 / F			
Speicher	-2 / W	-1 /W-N	-1 / B	-1 / B	0 / G	0 / G	
Speyer	-2 / W	-1 /W-N	-1 / B	-1 / B	0 / G	0 / G	0 / G
St Trond	-2 / W	-1 /W-N	-1 / B	-1 / B			
St Vith	-2 / W	-1 /W-N	-1 / B	-1 / B			
Stadtkyll	-2 / W	-1 /W-N	-1 / B	-1 / B	0 / G		
Stargard	-2 / W	-1 / W	-1 / W	-1 / W	-1 / W	-1 / W	-1 / W
Steinbruck	-2 / W	-1 /W-N	-1 / B	-1 /B-N	0 / G		
Stendal	-2 / W	-1 / W	-1 / N	-1 / N	0 / G	0 / G	0 / G
Sterkrade	-2 / W	-1 /W-N	-1 / N	0 / G			
Strasbourg	-2 / W	-1 / B	-1 / B	-1 / B	-1 / L	0 / F-G	0 / F-G
Stuttgart	-2 / W	-1 / B	-1 / B	-1 / B	0 / G	0 / G	0 / G
Thionville	-2 / W	-1 / B	-1 / B	-1 / B	-1 / L	0 / F-G	
Tours	NA / E	-2 / W	-1 / W	-1 / F	-1 / F	-1 / F	
Treuchtlingen	-2 / W	-1 /W-N	-1 / B	-1 / N	0 / G	0 / G	0 / G
Tricqueville	NA / E	NA / E	-2 / W	-1 /W-F			
Troisdorf	-2 / W	-1 / W	-1 / N	0 / G	0 / G		
Trondheim	-2 / W	-2 / W	-2 / W	-2 / W	-2 / W	-2 / W	-2 / W
Troyes	-2 / W	0 /W-F	-1 / F	-1 / F	-1 / F	-1 / F	
Tutow	-2 / W	-1 / W	-1 / W	-1 / W	-1 / W	-1 / W	-1 / W
Uelzen	-2 / W	-1 /W-N	1 / N	-1/N-G	0 / G	0 / G	0 / G
Ulm	-2 / W	-1 / B	-1 / B	-1 / B	0 / G	0 / G	0 / G
Vannes	NA / E	NA / E	NA / E	-2 / W	-1 / W	-1 / W	-1 / F
Veogesack	-2 / W	-1 / W	-1 / W	-1 / W	-1 / W	0 / G	
Villocoublay	-2 / W	0 / F	-1 / F	-1 / F	-1 / F		

Zone 9	Zone 10	Zone 11	Zone 12	Zone 13	Zone 14	Zone 15	Target City
0 / G							Salzwedel
							Schleiden
							Scholven
							Schonberg
0 / G							Schwabisch Hall
+1 / G							Schweinfurt
							Schwerte
							Sieburg
							Siegen
							Sinzig
							Sobernheim
							Soest
							Solingen
0 / G	0 / G	0 / G	0 / G				Sorau
							Sottevast
							Speicher
							Speyer
							St Trond
							St Vith
							Stadtkyll
0 / G	0 / W-G	0 / G	0 / G	0 / G			Stargard
							Steinbruck
0 / G							Stendal
							Sterkrade
							Strasbourg
0 / G							Stuttgart
							Thionville
							Tours
0 / G	0 / G	0 / G					Treuchtlingen
							Tricqueville
							Troisdorf
-2 / W	0/W-No	0 / No	0 / No	0 / No	0 / No	0 / No	Trondheim
							Troyes
0 / G	0 / W-G	0 / W-G					Tutow
							Uelzen
0 / G	0 / G						Ulm
							Vannes
							Veogesack
							Villocoublay

TARGET FOR TODAY - BOMBERS OVER THE REICH, 1942 - 1945

Table 2-8A (continued) - 8th Air Force Flight Log Gazetteer

Target City	Zone 2	Zone 3	Zone 4	Zone 5	Zone 6	Zone 7	Zone 8
Vitry-en-Artois	-2 / W	0 / F	-1 / F				
Wahlen	-2 / W	-1 / W-N	-1 / B	-1 / B	0 / G		
Warnemunde	-2 / W	-1 / W	-1 / W	-1 / W	-1 / W	-1 / W	0 / G
Watten	-2 / W	0 / F					
Waxweiler	-2 / W	-1 / W-N	-1 / B	-1 / B	0 / G		
Weimar	-2 / W	-1 / W	1 / W-N	-1 / N	-1 / N-G	0 / G	0 / G
Wenzendorf	-2 / W	-1 / W	-1 / W	-1 / W	-1 / W	0 / G	0 / G
Werl	-2 / W	-1 / W-N	-1 / N	0 / G	0 / G		
Wesel	-2 / W	-1 / W	-1 / N	-1 / N-G			
Wesseling	-2 / W	-1 / W	-1 / N	0 / G	0 / G		
Weweler	-2 / W	-1 / W-N	-1 / B	-1 / B			
Wiesbaden	-2 / W	-1 / N-W	-1 / B	-1 / B	0 / B-G	0 / G	
Wilhelmshaven	-2 / W	-1 / W	-1 / W	-1 / W	-1 / W	0 / G	
Wissembourg	-2 / W	-1 / B	-1 / B	-1 / B	-1 / B-L	0 / G	0 / G
Wittenberg	-2 / W	-1 / W	-1 / N	-1 / N	0 / G	0 / G	0 / G
Wittlich	-2 / W	-1 / W-N	-1 / B	-1 / B	0 / G	0 / G	
Wizernes	-2 / W	0 / W-F					
Woensdrecht	-2 / W	-1 / W-N	0 / W-N				
Woippy	-2 / W	-1 / B	-1 / B	-1 / B	-1 / B-G		
Worms	-2 / W	-1 / W-N	-1 / B	-1 / B	0 / G	0 / G	0 / G
Zeitz	-2 / W	-1 / W-N	-1 / N	0 / G	0 / G	0 / G	0 / G
Zellhausen	-2 / W	-1 / B	-1 / B	-1 / B	0 / G	0 / G	0 / G
Zulpich	-2 / W	-1 / W-N	-1 / B	-1 / B-N	0 / G		
Zweibrucken	-2 / W	-1 / B	-1 / B	-1 / B	-1 / L	0 / G	
Zwickau	-2 / W	-1 / W-N	-1 / N	0 / G	0 / G	0 / G	0 / G
Zwischenahn	-2 / W	-1 / W	-1 / W	-1 / W	-1 / W	0 / G	

- The last block containing data in the row of the assigned target city is the “**Designated Target Zone.**” Place the Target Marker on the Strategic Movement Track on that Zone’s space. Zones beyond will not be entered this mission.
- The number to the left of the slash is the modification, if any, to the roll on Table 5.1 when determining German Fighter Resistance in the zone.
- Zone 1 (not shown on the Tables) is automatically “**NA / E**” for Table 2-8A and “**NA / I**” for Table 2-8B.

Zone 9	Zone 10	Zone 11	Zone 12	Zone 13	Zone 14	Zone 15	Target City
							Vitry-en-Artois
							Wahlen
+1 / W	0/W-G						Warnemunde
							Watten
							Waxweiler
0 / G	0 / G						Weimar
							Wenzendorf
							Werl
							Wesel
							Wesseling
							Weweler
							Wiesbaden
							Wilhelmshaven
							Wissembourg
0 / G	0 / G						Wittenberg
							Wittlich
							Wizernes
							Woensdrecht
							Woippy
							Worms
0 / G	0 / G						Zeitz
							Zellhausen
							Zulpich
							Zweibrucken
0 / G	0 / G	0 / G					Zwickau
							Zwischenahn

- The letter(s) to the right of the slash is a code identifying whether the zone is over water or land in that zone. W = Water, A = Albania, Au = Austria, B = Belgium, Bu = Bulgaria, C = Corsica, Cz = Czechoslovakia, E=England, F = France; G = Germany, Gr = Greece, H = Hungary, I = Italy, L=Luxembourg, N=Netherlands, No=Norway, P=Poland, R = Rumania, S=Switzerland, U = Ukraine, Y = Yugoslavia. This information comes into play when a B-17/24 is forced down in a zone or the crew must bail out. Where a zone shows two code letters, the player has a choice of where to come down *if* the B-17/24 is under control. If forced to land or bail out involuntarily in such a zone, roll one D10: On a roll of "1-3" the first letter applies (i.e., water), on a roll of "4-6" the second letter applies (i.e., land).

TARGET FOR TODAY - BOMBERS OVER THE REICH, 1942 - 1945

Table 2-8B - 15th Air Force Flight Log Gazetteer

Target City	Zone 2	Zone 3	Zone 4	Zone 5	Zone 6	Zone 7	Zone 8
Alessandria	-2 / I	-2 / W-I	-1 / W	-1 / W	-1 / W	-1 / W	-1 / W
Alibunar	-2 / W	-1 / W-Y	0 / Y	0 / Y	0 / Y	0 / Y	0 / Y
Almasfuzito	-2 / W	-1 / W	0 / Y	0 / Y	0 / Y	0 / H	0 / H
Ancona	-2 / W	-1 / W	-1 / W	0 / W-I			
Anzio	-2 / I	-2 / I	-1 / W-I				
Arad	-2 / W	-1 / W-Y	0 / Y	0 / Y	0 / Y	0 / Y	0 / Y
Arezzo	-2 / W	-1 / W	-1 / W	0 / W-I	0 / I	0 / I	
Arles	-2 / I	-2 / W	-2 / W	-2 / W	-2 / W	-2 / W-C	-2 / W
Athens	-2 / I	-2 / I	-2 / W-I	-2 / W	-1 / W-Gr	-1 / Gr	0 / Gr
Augsburg	-2 / W	-1 / W	-1 / W	-1 / W	-1 / W	0 / I	+1 / I
Auschwitz	-2 / W	-1 / W	0 / Y	0 / Y	0 / Y	0 / H	0 / H
Avezzano	-2 / I	-1 / I					
Aviano	-2 / W	-1 / W	-1 / W	-1 / W	-1 / W	0 / I	+1 / I
Avignon	-2 / I	-2 / W	-2 / W	-2 / W	-2 / W	-2 / W-C	-2 / W
Avisio	-2 / W	-1 / W	-1 / W	-1 / W	-1 / W	0 / I	+1 / I
Bad Aibling	-2 / W	-1 / W	-1 / W	-1 / W	-1 / W	0 / I	+1 / I
Bad Voslau	-2 / W	-1 / W	0 / Y	0 / Y	0 / Y	0 / Y	0 / H-Au
Belgrade	-2 / W	-1 / W-Y	0 / Y	0 / Y	0 / Y	0 / Y	
Berat	-2 / W	-1 / W	-1 / W	0 / A			
Bergamo	-2 / W	-1 / W	-1 / W	-1 / W	-1 / W	0 / I	0 / I
Beziers	-2 / I	-2 / W	-2 / W	-2 / W	-2 / W	-2 / W-C	-2 / W
Bihac	-2 / W	-1 / W	0 / Y	0 / Y			
Blechhammer	-2 / W	-1 / W	-1 / W	-1 / W	0 / W-Y	0 / Y	+1 / Au
Bologna	-2 / W	-1 / W	-1 / W	-1 / W	-1 / W	0 / I	
Bolzano	-2 / W	-1 / W	-1 / W	-1 / W	-1 / W	0 / I	+1 / I
Borovnica	-2 / W	-1 / W	-1 / W	-1 / W	0 / W-Y		
Brasov	-2 / W	-1 / W	0 / Y	0 / Y	0 / Y	0 / Y	0 / R
Bratislava	-2 / W	-1 / W-Y	0 / Y	0 / Y	0 / Y	0 / H	0 / H
Breda	-2 / W	-1 / W	-1 / W	-1 / W	-1 / W	0 / I	
Brenner Pass	-2 / W	-1 / W	-1 / W	-1 / W	-1 / W	0 / I	+1 / I
Breslau	-2 / W	-1 / W-Y	0 / Y	0 / Y	0 / Y	0 / H	0 / H
Brno	-2 / W	-1 / W-Y	0 / Y	0 / Y	0 / Y	0 / H	0 / H
Brod	-2 / W	-1 / W	-1 / W	0 / A	0 / Y		
Bronzola	-2 / W	-1 / W	-1 / W	-1 / W	-1 / W	0 / I	+1 / I
Brux	-2 / W	-1 / W	-1 / W	0 / Y	0 / Y	0 / Y	+1 / Au
Bucharest	-2 / W	-1 / W	-1 / W-Y	0 / Y	0 / Y	0 / Y	0 / B
Budapest	-2 / W	-1 / W	0 / Y	0 / Y	0 / Y	0 / H	0 / H
Cakovec	-2 / W	-1 / W	0 / Y	0 / Y	0 / Y	0 / Y	
Canino	-2 / I	0 / I	0 / I	0 / I			

Zone 9	Zone 10	Zone 11	Zone 12	Zone 13	Zone 14	Zone 15	Target City
-1 / W	0 / I						Alessandria
							Alibunar
0 / H							Almasfuzito
							Ancona
							Anzio
0 / R	0 / R						Arad
							Arezzo
-2 / W	-2 / W	-1 / W-F	0 / F				Arles
0 / Gr	0 W-Gr	0 / Gr					Athens
0 / Au	0 / G	0 / G					Augsburg
0 / H	0 / G	0 / G	0 / G	0 / P			Auschwitz
							Avezzano
							Aviano
-2 / W	-2 / W	-1 / W-F	0 / F				Avignon
0 / I							Avisio
0 / Au	0 / G						Bad Aibling
+1 / Au							Bad Voslau
							Belgrade
							Berat
0 / I							Bergamo
-2 / W	-2 / W	-2 / W	-2 / W	-2 / W	0 / W-F		Beziers
							Bihac
0 / Au	0 / Au	0 / G	0 / G	0 / G			Blechhammer
							Bologna
0 / I							Bolzano
							Borovnica
0 / R	0 / R	0 / R	0 / R				Brasov
0 / H	0 / Cz						Bratislava
							Breda
0 / I	0 / I-Au						Brenner Pass
0 / H	0 / Au	0 / G	0 / G	0 / P	0 / P		Breslau
0 / H	0 / Au	0 / G	0 / G				Brno
							Brod
0 / I							Bronzola
0 / Au	0 / Au	0 / G	0 / G	0 / G			Brux
0 / R	0 / R	0 / R	0 / R				Bucharest
0 / H							Budapest
							Cakovec
							Canino

TARGET FOR TODAY - BOMBERS OVER THE REICH, 1942 - 1945

Table 2-8B (continued) - 15th Air Force Flight Log Gazetteer

Target City	Zone 2	Zone 3	Zone 4	Zone 5	Zone 6	Zone 7	Zone 8
Carrara	-2 / I	0 / I	0 / I	0 / I	0 / I	0 / I	
Castel Maggiore	-2 / W	-1 / W	-1 / W	-1 / W	-1 / W	0 / I	
Castelfranco	-2 / I	0 / I	0 / I	0 / I	0 / I		
Cesara	-2 / W	-1 / W	-1 / W	-1 / W	-1 / W	0 / I	0 / I
Cessano	-2 / I	0 / I					
Cluj	-2 / W	-1 / W-Y	0 / Y	0 / Y	0 / Y	0 / Y	0 / R
Constanta	-2 / W	-1 / W	-1 / W	0 / Y	0 / Y	0 / Y	0 / B
Cracow	-2 / W	-1 / W-Y	0 / Y	0 / Y	0 / Y	0 / H	0 / H
Craiova	-2 / W	-1 / W	0 / Y	0 / Y	0 / Y	0 / Y	0 / R
Czechowice	-2 / W	-1 / W-Y	0 / Y	0 / Y	0 / Y	0 / H	0 / H
Debreczen	-2 / W	-1 / W	0 / Y	0 / Y	0 / Y	0 / Y	0 / Y
Dogna	-2 / W	-1 / W	-1 / W	0 / W-I	0 / W-I	0 / W-I	0 / I
Doicesti	-2 / W	-1 / W	0 / Y	0 / Y	0 / Y	0 / Y	0 / R
Dravograd	-2 / W	-1 / W	-1 / W	0 / Y	0 / Y	0 / Y	0 / Y
Drohobycz	-2 / W	-1 / W	0 / Y	0 / Y	0 / Y	0 / Y	0 / Y
Dubnica	-2 / W	-1 / W-Y	0 / Y	0 / Y	0 / Y	0 / H	0 / H
Dubova	-2 / W	-1 / W-Y	0 / Y	0 / Y	0 / Y	0 / H	0 / H
Fabriano	-2 / W	-1 / W	-1 / W	0 / I			
Fabrica di Roma	-2 / I	0 / I	0 / I				
Faenza	-2 / W	-1 / W	-1 / W	-1 / W	-1 / W	0 / I	
Fano	-2 / W	-1 / W	-1 / W	0 / W-I			
Ferrara	-2 / W	-1 / W	-1 / W	-1 / W	-1 / W	0 / I	
Fischamend Markt	-2 / W	-1 / W-Y	0 / Y	0 / Y	0 / Y	0 / H	0 / H
Fiume	-2 / W	-1 / W	-1 / W	-1 / W	0 / W-I		
Frascati	-2 / I	0 / I					
Friedrichshafen	-2 / W	-1 / W	-1 / W	-1 / W	0 / I	0 / I	+1 / I
Galati	-2 / W	-1 / W	0 / Y	0 / Y	0 / Y	0 / Y	0 / R
Genoa	-2 / I	-2 / W-I	-1 / W	-1 / W	-1 / W	-1 / W	-1 / W
Giurgiu	-2 / W	-1 / W	-1 / W	0 / Y	0 / Y	0 / Y	0 / H
Graz	-2 / W	-1 / W-Y	0 / Y	0 / Y	0 / Y	0 / Y	0 / Au
Grizzano	-2 / W	-1 / W	-1 / W	-1 / W	-1 / W	0 / W - I	0 / I
Gussing	-2 / W	-1 / W	0 / Y	0 / Y	0 / Y	0 / Y	0 / H
Gyor	-2 / W	-1 / W	0 / Y	0 / Y	0 / Y	0 / Y	0 / H
Hadju Boszormeny	-2 / W	-1 / W-Y	0 / Y	0 / Y	0 / Y	0 / Y	0 / Y
Hatvan	-2 / W	-1 / W	0 / Y	0 / Y	0 / Y	0 / H	0 / H
Horsching	-2 / W	-1 / W	-1 / W	-1 / W	0 / W-I	0 / Y	0 / Au
Iesi	-2 / W	-1 / W	-1 / W	0 / W-I			
Immenstadt	-2 / W	-1 / W	-1 / W	-1 / W	0 / I	0 / I	+1 / I

Zone 9	Zone 10	Zone 11	Zone 12	Zone 13	Zone 14	Zone 15	Target City
							Carrara
							Castel Maggiore
							Castelfranco
0 / I	0 / I						Cesara
							Cessano
0 / R	0 / R	0 / R					Cluj
0 / B	0 / B	0 / B	0 / B	0 / B	0 / W-R		Constanta
0 / H	0 / Au	0 / G	0 / G	0 / P	0 / P		Cracow
0 / R	0 / R						Craiova
0 / H	0 / Au	0 / G	0 / G	0 / P	0 / P	0 / P	Czechowice
0 / H	0 / H	0 / H					Debreczen
							Dogna
0 / R	0 / R	+1 / R					Doicesti
							Dravograd
0 / H	0 / H	0 / H	0 / U	0 / U	0 / U		Drohobycz
0 / H	0 / Cz	0 / Cz					Dubnica
0 / H	0 / Cz						Dubova
							Fabriano
							Fabrica di Roma
							Faenza
							Fano
							Ferrara
0 / Au	0 / Au						Fischamend Markt
							Fiume
							Frascati
0 / I-Au	0 / Au	0 / G					Friedrichshafen
0 / R	0 / R	0 / R	+1 / R	0 / R	0 / R		Galati
-1 / W	0 / W-I						Genoa
0 / H	0 / R	0 / R	0 / R				Giurgiu
0 / Au							Graz
							Grizzano
0 / Au							Gussing
0 / H							Gyor
0 / H	0 / H	0 / H					Hadju Boszormeny
0 / H	0 / H						Hatvan
0 / Au	0 / Au						Horsching
							Iesi
0 / I-Au	0 / G						Immenstadt

TARGET FOR TODAY - BOMBERS OVER THE REICH, 1942 - 1945

Table 2-8B (continued) - 15th Air Force Flight Log Gazetteer

Target City	Zone 2	Zone 3	Zone 4	Zone 5	Zone 6	Zone 7	Zone 8
Imotski	-2 / W	-1 /W-Y	0 / Y				
Innsbruck	-2 / W	-1 / W	-1 / W	-1 / W	-1 / W	0 / I	+1 / I
Istres-le-Tube	-2 / I	-2 / W	-2 / W	-2 / W	-2 / W	-2 /W-C	-2 / W
Kapfenburg	-2 / W	-1 / W	-1 / W	-1 / W	-1 / W	0 / I	+1 / I
Karlova	-2 / W	-1 / W	-1 / W	0 / Y	0 / Y	0 / Y	0 / B
Klagenfurt	-2 / W	-1 / W	-1 / W	-1 / W	0 / W-I	0 / Y	0 / Au
Knin	-2 / W	-1 / W	0 / Y	0 / Y			
Kolin	-2 / W	-1 /W-Y	0 / Y	0 / Y	0 / Y	0 / Au	0 / Au
Komarom	-2 / W	-1 / W	0 / Y	0 / Y	0 / Y	0 / H	0 / H
Kragujevac	-2 / W	-1 / W	0 / Y	0 / Y	0 / Y	0 / Y	
Kraljevo	-2 / W	-1 / W	0 / Y	0 / Y	0 / Y		
Kurim	-2 / W	-1 / W	0 / Y	0 / Y	0 / Y	0 / Y	0 / Au
La Spezia	-2 / I	-2 / W-I	-1 / W	-1 / W	-1 / W	-1 / W	-1 / W
Larissa	-2 / I	-2 / W-I	-1 /W-A	0 / A	0 /A-Gr	0 / Gr	0 / Gr
Latisana	-2 / W	-1 / W	-1 / W	-1 / W	-1 / W	0 / I	
Lechfeld	-2 / W	-1 / W	-1 / W	-1 / W	-1 / W	0 / I	+1 / I
Leghorn	-2 / I	-2 / W-I	-1 / W	-1 / W	-1 / W	-1 / W	0 / W-I
Leskovac	-2 / W	-1 /W-Y	0 / Y	0 / Y	0 / Y	0 / Y	0 / Y
Levanto	-2 / I	-2 / W-I	-1 / W	-1 / W	-1 / W	-1 / W	-1 / W
Linz	-2 / W	-1 / W	-1 / W	0 / Y	0 / Y	0 / Y	0 / Au
Lispe	-2 / W	-1 / W	0 / Y	0 / Y	0 / Y	0 / Y	0 / H
Ljubljana	-2 / W	-1 / W	-1 / W	0 / Y	0 / Y	0 / Y	
Malacky	-2 / W	-1 /W-Y	0 / Y	0 / Y	0 / Y	0 / H	0 / H
Mantua	-2 / W	-1 / W	-1 / W	-1 / W	-1 / W	0 / I	0 / I
Manzell	-2 / W	-1 / W	-1 / W	-1 / W	0 / I	0 / I	+1 / I
Maribor	-2 / W	-1 /W-Y	0 / Y	0 / Y	0 / Y	0 / Y	
Marseilles	-2 / I	-2 / W	-2 / W	-2 / W	-2 / W	-2 /W-C	-2 / W
Massa d'Albe	-2 / I	0 / I					
Memmingen	-2 / W	-1 / W	-1 / W	-1 / W	-1 / W	0 / W-I	+1 / I
Mestre	-2 / W	-1 / W	-1 / W	-1 / W	-1 / W	0 / W-I	
Metkovic	-2 / W	-1 / W	0 / Y				
Milan	-2 / I	0 / I	0 / I	0 / I	0 / I	0 / I	0 / I
Miramas	-2 / I	-2 / W	-2 / W	-2 / W	-2 / W	-2 /W-C	-2 / W
Miskolc	-2 / W	-1 /W-Y	0 / Y	0 / Y	0 / Y	0 / Y-H	0 / H
Mitrovica	-2 / W	-1 / W	-1 /W-Y	0 / Y	0 / Y		
Monfalcone	-2 / W	-1 / W	-1 / W	0 / W-I	0 / W-I		
Monte Cassino	-2 / I						
Monte Soratte	-2 / I	0 / I	0 / I				
Montpellier	-2 / I	-2 / W	-2 / W	-2 / W	-2 / W	-2 /W-C	-2 / W

Zone 9	Zone 10	Zone 11	Zone 12	Zone 13	Zone 14	Zone 15	Target City
							Imotski
0 / Au	0 / Au						Innsbruck
-2 / W	-2 / W	-1 / W-F	0 / F				Istres-le-Tube
0 / Au	0 / G	0 / G					Kapfenburg
0 / B	0 / B						Karlova
							Klagenfurt
							Knin
0 / Au	0 / Au	0 / Cz	0 / Cz				Kolin
0 / H-Cz							Komarom
							Kragujevac
							Kraljevo
0 / Au	0 / Au	0 / Cz					Kurim
0 / W-I							La Spezia
							Larissa
							Latisana
0 / Au-G	0 / G	0 / G					Lechfeld
							Leghorn
							Leskovac
0 / W-I							Levanto
0 / Au	0 / Au						Linz
							Lispe
							Ljubljana
0 / H	0 / Cz						Malacky
							Mantua
0 / I-Au	0 / Au	0 / G					Manzell
							Maribor
-2 / W	-2 / W	0 / W-F					Marseilles
							Massa d'Albe
0 / I-Au	0 / Au	0 / G					Memmingen
							Mestre
							Metkovic
0 / I							Milan
-2 / W	-2 / W	-1 / W-F	0 / W-F				Miramas
0 / H	0 / H	0 / H					Miskolc
							Mitrovica
							Monfalcone
							Monte Cassino
							Monte Soratte
-2 / W	-2 / W	-1 / W-F	-1 / W-F	0 / W-F			Montpellier

TARGET FOR TODAY - BOMBERS OVER THE REICH, 1942 - 1945

Table 2-8B (continued) - 15th Air Force Flight Log Gazetteer

Target City	Zone 2	Zone 3	Zone 4	Zone 5	Zone 6	Zone 7	Zone 8
Moosebierbaum	-2 / W	-1 /W-Y	0 / Y	0 / Y	0 / Y	0 / Y	0 / Au
Moravac	-2 / W	-1 / W	0 / Y	0 / Y	0 / Y	0 / Y	
Mostar	-2 / W	-1 / W	0 / Y				
Munchendorf	-2 / W	-1 /W-Y	0 / Y	0 / Y	0 / Y	0 / Y	0 / Au
Munich	-2 / W	-1 / W	-1 / W	-1 / W	-1 / W	0 / I	+1 / I
Niksic	-2 / W	-1 / W	0 / Y				
Nimes	-2 / I	-2 / W	-2 / W	-2 / W	-2 / W	-2 /W-C	-2 / W
Nis	-2 / W	-1 / W	0 / Y	0 / Y	0 / Y	0 / Y	0 / Y
Nove Zamky	-2 / W	-1 / W	0 / Y	0 / Y	0 / Y	0 / H	0 /Cz-H
Novi Ligure	-2 / I	-2 / W-I	-1 / W	-1 / W	-1 / W	-1 / W	-1 / W
Novi Pazar	-2 / W	-1 / W	0 / Y	0 / Y	0 / Y		
Novi Sad	-2 / W	-1 /W-Y	0 / Y	0 / Y	0 / Y	0 / Y	0 / Y
Odertal	-2 / W	-1 / W	-1 / W	0 / W-I	0 / W-I	0 / I	+1/I-Au
Oradea	-2 / W	-1 /W-Y	0 / Y	0 / Y	0 / Y	0 / Y	0 / Y-R
Orbetello	-2 / I	-2 / W-I	-1 / W	-1 / W	0 / W-I		
Orsova	-2 / W	-1 / W	0 / Y	0 / Y	0 / Y	0 / Y	0 / Y
Orvieto	-2 / I	0 / I	0 / I				
Osijek	-2 / W	-1 / W	0 / Y	0 / Y	0 / Y	0 / Y	
Osoppo	-2 / W	-1 / W	-1 / W	0 / W-I	0 / W-I	0 / I	+1 / I
Padua	-2 / W	-1 / W	-1 / W	-1 / W	0 / W-I	0 / I	
Pardubice	-2 / W	-1 /W-Y	0 / Y	0 / Y	0 / Y	0 / Y	0 / Au
Parma	-2 / W	-1 / W	-1 / W	-1 / W	-1 / W	-1 / W	0 / I
Petfurdo	-2 / W	-1 / W	0 / Y	0 / Y	0 / Y	0 / H	0 / H
Piacenza	-2 / W	-1 / W	-1 / W	-1 / W	-1 / W	-1 / W	0 / I
Pilsen	-2 / W	-1 / W	-1 / W	-1 / W	0 / W-Y	0 / Y	0 / Au
Pineto	-2 / I	0 / W-I					
Piombino	-2 / I	-2 / W-I	-1 / W	-1 / W	-1 / W	0 / W-I	
Piraeus	-2 / I	-2 / I	-2 / W-I	-2 / W	-1/W-Gr	-1 / Gr	0 / Gr
Pisa	-2 / I	-2 / W-I	-1 / W	-1 / W	-1 / W	0 / W-I	
Pitesti	-2 / W	-1 / W	0 / Y	0 / Y	0 / Y	0 / Y	0 / Y
Plauen	-2 / W	-1 / W	-1 / W	-1 / W	0 / W-Y	0 / Y	0 / Au
Ploesti	-2 / W	-1 / W	0 / Y	0 / Y	0 / Y	0 / Y	0 / Y
Podgorica	-2 / W	-1 / W	0 / W-Y	0 / Y			
Pola	-2 / W	-1 / W	-1 / W	0 / W-I			
Pontecorvo	-2 / I						
Pontedera	-2 / I	-2 / W-I	-1 / W	-1 / W	-1 / W	0 / I	
Porto Civianova	-2 / W	-1 / W	0 /W-I				
Porto Marghera	-2 / W	-1 / W	-1 / W	-1 / W	-1 / W	0 /W-I	
Prato	-2 / I	0 / I	0 / I	0 / I	0 / I		

Zone 9	Zone 10	Zone 11	Zone 12	Zone 13	Zone 14	Zone 15	Target City
0 / Au	0 / Au						Moosebierbaum
							Moravac
							Mostar
0 / Au	0 / Au						Munchendorf
0 / Au	0 / G	0 / G					Munich
							Niksic
-2 / W	-2 / W	-1 / W-F	0 / F	0 / F			Nimes
							Nis
0 / Cz							Nove Zamky
-1 / W	0 / W-I						Novi Ligure
							Novi Pazar
							Novi Sad
0 / Au	0 / G	0 / G	0 / G	0 / G	0 / G	0 / G	Odertal
0 / H-R	0 / H-R	0 / R					Oradea
							Orbetello
0 / R							Orsova
							Orvieto
							Osijek
							Osoppo
							Padua
0 / Au	0 / Au	0 / Cz	0 / Cz	0 / Cz			Pardubice
0 / I							Parma
0 / H							Petfurdo
0 / I	0 / I						Piacenza
0 / Au	0 / Au	0 / Cz	0 / Cz				Pilsen
							Pineto
							Piombino
0 / Gr	0 / Gr	0 / W-Gr					Piraeus
							Pisa
0 / B-R	0 / R	0 / R					Pitesti
0 / Au	0 / Au	0 / G	0 / G				Plauen
0 / B-R	0 / R	0 / R	+1 / R				Ploesti
							Podgorica
							Pola
							Pontecorvo
							Pontedera
							Porto Civianova
							Porto Marghera
							Prato

TARGET FOR TODAY - BOMBERS OVER THE REICH, 1942 - 1945

Table 2-8B (continued) - 15th Air Force Flight Log Gazetteer

Target City	Zone 2	Zone 3	Zone 4	Zone 5	Zone 6	Zone 7	Zone 8
Prostejov	-2 / W	-1 /W-Y	0 / Y	0 / Y	0 / Y	0 / Y	0 / H
Razanac	-2 / W	-1 / W	-1 /W-Y	0 /W-Y			
Regensburg	-2 / W	-1 / W	-1 / W	-1 / W	-1 / W	0 / I	+1/I-Au
Reggio Emilia	-2 / I	0 / I	0 / I	0 / I	0 / I	0 / I	
Rieti	-2 / I	0 / I	0 / I				
Rimini	-2 / W	-1 / W	-1 / W	-1 / W	-1 / W	0 / W-I	
Rome	-2 / I	0 / I	0 / I				
Rosenheim	-2 / W	-1 / W	-1 / W	-1 / W	-1 / W	0 / I	+1/I-Au
Saint-Raphael	-2 / I	-2 / W	-2 / W	-2 / W	-2 / W	-2 /W-C	-2 / W
Salamis	-2 / I	-2 / I	-2 / W-I	-2 / W	-1/W-Gr	-1 / Gr	0 / Gr
Salon-de-Provence	-2 / I	-2 / W	-2 / W	-2 / W	-2 / W	-2 /W-C	-2 / W
Salonika	-2 / W	-1 / W	-1 / W	0 / A	0 / A	0 / Gr	0 /W-Gr
Salzburg	-2 / W	-1 / W	-1 / W	-1 / W	-1 / W	0 / I	+1/I-Au
San Stefano	-2 / I	-1 / W	-1 / W	-1 / W	-1 / W	-1 / W	-1 / W
Sarajevo	-2 / W	-1 /W-Y	0 / Y				
Sava	-2 / W	-1 / W	-1 / W	-1 / W	0 /W-Y	0 / Y	0 / Y-Au
Savona	-2 / I	-1 / W	-1 / W	-1 / W	-1 / W	-1 / W	-1 / W
Schwechat	-2 / W	-1 / W	0 / Y	0 / Y	0 / Y	0 / Y	0 /H-Au
Sete	-2 / I	-2 / W	-2 / W	-2 / W	-2 / W	-2 /W-C	-2 / W
Sibenik	-2 / W	0 /W-Y					
Siena	-2 / I	0 / I	0 / I	0 / I	0 / I		
Simeria	-2 / W	-1 /W-Y	0 / Y	0 / Y	0 / Y	0 / Y	0 / Y-R
Sisak	-2 / W	-1 / W	0 / Y	0 / Y	0 / Y		
Skarmanga	-2 / I	-2 / I	-2 / W-I	-2 / W	-1/W-Gr	-1 / Gr	0 / Gr
Skoplje	-2 / W	-1 /W-Y	0 / Y	0 / Y	0 / Y	0 / Y	
Smederevo	-2 / W	-1 / W	-1 / W	0 / A	0 / A-Y	0 / Y	
Sofia	-2 / W	-1 / W	-1 / W	0 / A	0 / Y	0 / Y-Bu	0 / Bu
Split	-2 / W	0 /W-Y					
Steyr	-2 / W	-1 / W	-1 / W	-1 /W-Y	0 / Y	0 / Y	0 / A
Subotica	-2 / W	-1 / W	-1 / W	-1 /W-Y	0 / Y	0 / Y	0 / Y
Supovac	-2 / W	-1 / W	-1 /W-Y	0 / Y	0 / Y	0 / Y	
Szeged	-2 / W	-1 /W-Y	0 / Y	0 / Y	0 / Y	0 / Y	0 / Y
Szob	-2 / W	-1 / W	0 / Y	0 / Y	0 / Y	0 / H	0 / H
Szolnok	-2 / W	-1 /W-Y	0 / Y	0 / Y	0 / Y	0 /Y-H	0 / H
Szombathely	-2 / W	-1 / W	0 / Y	0 / Y	0 / Y	0 / Y	0 / H
Tarascon	-2 / I	-2 / W	-2 / W	-2 / W	-2 / W	-2 /W-C	-2 / W
Targoviste	-2 / W	-1 / W	0 / Y	0 / Y	0 / Y	0 / Y	0 / Y
Tarquinoa	-2 / I	-1 / W	-1 / W	-1 / W	0 / W-I		
Teleajenul	-2 / W	-1 / W	0 / Y	0 / Y	0 / Y	0 / Y	0 / Y

Zone 9	Zone 10	Zone 11	Zone 12	Zone 13	Zone 14	Zone 15	Target City
0 / H-Au	0 / Au	0 / Cz	0 / Cz				Prostejov
							Razanac
0 / Au	0 / G	0 / G	+1 / G				Regensburg
							Reggio Emilia
							Rieti
							Rimini
							Rome
0 / Au-G							Rosenheim
-2 / W	0 / W-F						Saint-Raphael
0 / Gr	0 / W-Gr	0 / W-Gr					Salamis
-2 / W	-2 / W	0 / F	0 / F				Salon-de-Provence
							Salonika
0 / Au-G							Salzburg
0 / W-I							San Stefano
							Sarajevo
							Sava
-1 / W	0 / W-I						Savona
0 / Au	0 / Au						Schwechat
-2 / W	-2 / W	-2 / W	-2 / W	0 / W-F			Sete
							Sibenik
							Siena
0 / R	0 / R						Simeria
							Sisak
0 / Gr	0 / W-Gr						Skarmanga
							Skoplje
							Smederevo
0 / Bu							Sofia
							Split
0 / A	0 / A						Steyr
0 / Y-H							Subotica
							Supovac
0 / H							Szeged
0 / H-Cz							Szob
0 / H	0 / H						Szolnok
0 / H							Szombathely
-2 / W	-2 / W	-1 / W-F	0 / F				Tarascon
0 / Y	0 / R	0 / R					Targoviste
							Tarquinia
0 / R	0 / R	0 / R	0 / R				Teleajenul

TARGET FOR TODAY - BOMBERS OVER THE REICH, 1942 - 1945

Table 2-8B (continued) - 15th Air Force Flight Log Gazetteer

Target City	Zone 2	Zone 3	Zone 4	Zone 5	Zone 6	Zone 7	Zone 8
Terni	-2 / I	0 / I	0 / I				
Toulon	-2 / I	-2 / W	-2 / W	-2 / W	-2 / W	-2 /W-C	-2 /W
Trento	-2 /W	-1 /W	-1 /W	-1 /W	0 / W-I	0 / I	0 / I
Treviso	-2 /W	-1 /W	-1 /W	-1 /W	0 / W	0 / I	
Trieste	-2 /W	-1 /W	-1 /W	0 /W-I	0 / W-I		
Turin	-2 / I	-1 /W	-1 /W	-1 /W	-1 /W	-1 /W	-1 /W
Turnu Severin	-2 /W	-1 /W	0 / Y	0 / Y	0 / Y	0 / Y	0 / Y
Udine	-2 /W	-1 /W	-1 /W	0 /W-I	0 / W-I	0 / I	+1 / I
Valence	-2 / I	-2 / W	-2 / W	-2 / W	-2 / W	-2 /W-C	-2 /W
Varazdin	-2 /W	-1 /W-Y	0 / Y	0 / Y	0 / Y	0 / Y	
Varese	-2 / I	0 / I	0 / I	0 / I	0 / I	0 / I	0 / I
Venice	-2 / W	-1 /W	-1 /W	-1 /W	-1 /W	0 / W-I	
Venzona	-2 /W	-1 /W	-1 /W	0 /W-I	0 / W-I	0 / I	+1 / I
Verciorova	-2 /W	-1 /W	0 / Y	0 / Y	0 / Y	0 / Y	0 / R
Verona	-2 /W	-1 /W	-1 /W	-1 /W	0 / I	0 / I	
Veszprem	-2 /W	-1 /W	0 / Y	0 / Y	0 / Y	0 / H	0 / H
Vicenza	-2 /W	-1 /W	-1 /W	-1 /W	0 / I	0 / I	
Vienna	-2 /W	-1 /W	0 / Y	0 / Y	0 / Y	0 / Y	0 /H-Au
Viterbo	-2 / I	0 / I	0 / I				
Villach	-2 /W	-1 /W	-1 /W	-1 /W	0 / W-I	0 / I	0 / Au
Villaorba	-2 /W	-1 /W	-1 /W	-1 /W	-1 /W	0 / I	+1 / I
Villarperosa	-2 / I	-1 /W	-1 /W	-1 /W	-1 /W	-1 /W	-1 /W
Vinkovci	-2 /W	-1 /W-Y	0 / Y	0 / Y	0 / Y	0 / Y	
Visegrad	-2 /W	-1 /W-Y	0 / Y	0 / Y			
Voltri	-2 / I	-2 / W-I	-1 /W	-1 /W	-1 /W	-1 /W	-1 /W
Vrutky	-2 /W	-1 /W	0 / Y	0 / Y	0 / Y	0 / H	0 / H
Wels	-2 /W	-1 /W	-1 /W	0 /W-Y	0 /W-Y	0 / Y	0 / Au
Wiener-Neudorf	-2 /W	-1 /W	0 / Y	0 / Y	0 / Y	0 / Y	0 /H-Au
Wiener-Neustadt	-2 /W	-1 /W	0 / Y	0 / Y	0 / Y	0 / Y	0 /H-Au
Wollersdorf	-2 /W	-1 /W	0 / Y	0 / Y	0 / Y	0 / Y	0 / Au
Zagreb	-2 /W	-1 /W-Y	0 / Y	0 / Y	0 / Y		
Zara	-2 /W	-1 /W-Y	-1 /W-Y	0 / Y			

- The last block containing data in the row of the assigned target city is the “**Designated Target Zone.**” Place the Target Marker on the Strategic Movement Track on that Zone’s space. Zones beyond will not be entered this mission.
- The number to the left of the slash is the modification, if any, to the roll on Table 5.1 when determining German Fighter Resistance in the zone.
- Zone 1 (not shown on the Tables) is automatically “**NA / E**” for Table 2-8A and “**NA / I**” for Table 2-8B.
- Zones highlighted in purple on Table 2-8B are “Alps” mountain zones. See rule 2.6 as well as Table 2-1A German fighters may appear in “Alps” zones in “**Good**” weather only.

Zone 9	Zone 10	Zone 11	Zone 12	Zone 13	Zone 14	Zone 15	Target City
							Terni
-2 / W	-2 / W	-1 / W-F					Toulon
0 / I							Trento
							Treviso
							Trieste
-1 / W	0 / W-I	0 / I	0 / I				Turin
0 / Y-R							Turnu Severin
							Udine
-2 / W	-2 / W	-1 / W	0 / F	0 / F	0 / F		Valence
							Varazdin
0 / I-S							Varese
							Venice
							Venzone
0 / R							Verciorova
							Verona
0 / H							Veszprem
							Vicenza
0 / Au	0 / Au						Vienna
							Viterbo
							Villach
							Villaorba
-1 / W	0 / I						Villarperosa
							Vinkovci
							Visegrad
-1 / W	0 / W-I						Voltri
0 / H-Cz	0 / Cz	0 / Cz	0 / Cz				Vrutky
0 / Au	0 / Au						Wels
0 / Au	0 / Au						Wiener-Neudorf
+1 / Au							Wiener-Neustadt
0 / Au	0 / Au						Wollersdorf
							Zagreb
							Zara

- The letter(s) to the right of the slash is a code identifying whether the zone is over water or land in that zone. W = Water, A = Albania, Au = Austria, B = Belgium, Bu = Bulgaria, C = Corsica, Cz = Czechoslovakia, E=England, F = France; G = Germany, Gr = Greece, H = Hungary, I = Italy, L=Luxembourg, N=Netherlands, No=Norway, P=Poland, R = Rumania, S=Switzerland, U = Ukraine, Y = Yugoslavia. This information comes into play when a B-17/24 is forced down in a zone or the crew must bail out. Where a zone shows two code letters, the player has a choice of where to come down *if* the B-17/24 is under control. If forced to land or bail out involuntarily in such a zone, roll one D10: On a roll of “1-3” the first letter applies (i.e., water), on a roll of “4-6” the second letter applies (i.e., land).
- Zones highlighted in **gray** on Table 2-8B are “Alps” mountain zones. See rule 2.6 as well as Table 2-1A German fighters may appear in “Alps” zones in “Good” weather only.

TARGET FOR TODAY - BOMBERS OVER THE REICH, 1942 - 1945

Table 2-8C ZONE CONTROL CHART

CAMPAIGN	Axis Controlled Zones	Allied-Controlled Zones
1	Any Zone with “-1/”, “0/”, or “+1/” notation on Gazetteer	Any Zone with “NA/” or “-2/” notation on Gazetteer
2	Any Zone with “-1/”, “0/”, or “+1/” notation on Gazetteer	Any Zone with “NA/” or “-2/” notation on Gazetteer
3	Any Zone with “-1/”, “0/”, or “+1/” notation on Gazetteer	Any Zone with “NA/” or “-2/” notation on Gazetteer
4	Any Zone with “-1/”, “0/”, or “+1/” notation on Gazetteer	Any Zone with “NA/” or “-2/” notation on Gazetteer
5	Any Zone with “-1/”, “0/”, or “+1/” notation on Gazetteer except as noted at right...	Any Zone with “NA/” or “-2/” notation on 2-8B Gazetteer, and all Zones in Ukraine (“U”), plus... <ul style="list-style-type: none"> • 6/1944 – add Zones 2, 3, 4 in Italy (“I”) • 7/1944 – add Zones 5 in Italy (“I”) • 8/1944 – add Zone 6 in Italy (“I”) • 9/1944 – all Zones in France (“F”), Zone 12 in Romania (“R”) • 10/1944 – all Zones in Bulgaria (“Bu”) and Romania (“R”) • 11/1944 – add Zone 7 in Italy (“I”), all Zones in Greece (“Gr”)
6	Any Zone with “-1/”, “0/”, or “+1/” notation on Gazetteer except as noted at right...	Any Zone with “NA/” or “-2/” notation on 2-8A Gazetteer, and Zones 3, 4, 5 in France (“F”) plus... <ul style="list-style-type: none"> • 10/1944 – add all Zones in France (“F”), Belgium (“B”), and Luxembourg (“L”)

Table 10- 100 Table of Organization of the 8th and 15th Air Forces

To add a bit more historical background to your bomber and the missions you will fly, you can determine which Wing, Group and Squadron your plane will serve with for a mission or a campaign.

Numbered Air Force unit structure in the USAAF from the top down looked like this.

- A numbered Air Force was a flexible organization and could have one or more Air Divisions reporting to it. The Numbered Air Force could also have a number of Bomb Wings reporting directly to it without any Air Divisions between the Numbered Air Force HQ and its Bomb Wings. 8th Air Force is an example of the former while 15th Air Force is an example of the latter.
- Each Air Division reported to the Numbered Air Force and has two or more Bomb Wings reporting to it.
- Each Bomb Wing had two or more Bomb Groups reporting to it.
- The Bomb Group was the lowest autonomous unit assigned to the Bomb Wing and would be tasked with bombing missions that were planned and carried out by the Bomb Group. Each Bomb Group was composed of three to four Bomb Squadrons. The Bomb Squadrons relied on the parent Bomb Group for logistical support and provided bombers as required to fill the Combat Boxes of the Bomb Group on assigned missions.
- The 15th Air Force was structured as follows:
 - 15th Air Force had five Bomb Wings assigned. (See Table 10-101)
 - Each 15th Air Force Bomb Wing had three to six Bomb Groups Assigned (See Tables 10-102-1 thru 10-102-5)
 - Each Bomb Group is composed of the Bomb Squadrons listed in their respective Tables (See Tables 10-102-1 thru 10-102-5)

TARGET FOR TODAY - BOMBERS OVER THE REICH, 1942 - 1945

- The 8th Air Force was structured as follows:
 - 8th Air Force had three Air Divisions assigned. (See Table 10-103)
 - Each Air Division had five to six Bomb Wings assigned (See Tables 10- 103-1 thru 10-103-3)
 - Each Bomb Wing had from three to fourteen Bomb Groups assigned. (See Tables 10-104-1 to 10-107-6)
 - Each Bomb Group is composed of the Bomb Squadrons listed in their respective Tables (See Tables 10-104-1 thru 10-107-6)
- The tables are structured so that a player can randomly determine his squadron assignment and each of his parent units from Bomb Group to Bomb Wing to Air Division to numbered Air Force by dice roll if he wishes or the player can pick his unit of assignment using the tables as a guide. The choice is up to the player.
- Decide which Air Force, 8th or the 15th you will be flying with. Then go to Table 10-101 for the 15th Air Force or Table 10-103 for the 8th Air Force and work your way through the tables to determine your unit of assignment.

Table 10-101 Wing Assignment – 15th Air Force

1D6	Wing Assignment
1	5 th Bombardment Wing (B-17)
2	47 th Bombardment Wing (B-24)
3	49 th Bombardment Wing (B-24)
4	55 th Bombardment Wing (B-24)
5	304 th Bombardment Wing (B-24)
6	Roll Again

- Next, determine your group assignment. Roll 1 die on the following tables depending on your wing Assignment.

Table 10-102 Group Assignment – 15th Air Force

Table 10-102-1 – 5th Bombardment Wing (B-17)

1D6	Group Assignment	Squadron Assignment
1	2 nd BG	Roll Again 1(20 th BS) 2(49 th BS) 3(96 th BS) 4(429 th BS) 5-6(roll)
2	97 th BG	Roll Again 1(340 th BS) 2(341 st BS) 3(342 nd BS) 4(414 th BS) 5-6(roll)
3	99 th BG	Roll Again 1(346 th BS) 2(347 th BS) 3(348 th BS) 4(416 th BS) 5-6(roll)
4	301 st BG	Roll Again 1(32 nd BS) 2(352 nd BS) 3(353 rd BS) 4(419 th BS) 5-6(roll)
5	463 rd BG	Roll Again 1(772 nd BS) 2(773 rd BS) 3(774 th BS) 4(775 th BS) 5-6(roll)
6	483 rd BG	Roll Again 1(815 th BS) 2(816 th BS) 3(817 th BS) 4(840 th BS) 5-6(roll)

Table 10-102-2 – 47th Bombardment Wing (B-24)

1D6	Group Assignment	Squadron Assignment
1	98 th BG	Roll Again 1(343 rd BS) 2(344 th BS) 3(345 th BS) 4(415 th BS) 5-6(roll)
2	376 th BG	Roll Again 1(512 th BS) 2(513 th BS) 3(514 th BS) 4(515 th BS) 5-6(roll)
3	449 th BG	Roll Again 1(716 th BS) 2(717 th BS) 3(718 th BS) 4(719 th BS) 5-6(roll)
4	450 th BG	Roll Again 1(720 th BS) 2(721 st BS) 3(722 nd BS) 4(723 rd BS) 5-6(roll)
5 - 6	Roll Again	

TARGET FOR TODAY - BOMBERS OVER THE REICH, 1942 - 1945

Table 10-102-3 – 49th Bombardment Wing (B-24)

1D6	Group Assignment	Squadron Assignment
1	451 st BG	Roll Again 1(724 th BS) 2(725 th BS) 3(726 th BS) 4(727 th BS) 5-6(roll)
2	461 st BG	Roll Again 1(764 th BS) 2(765 th BS) 3(766 th BS) 4(767 th BS) 5-6(roll)
3	484 th BG	Roll Again 1(824 th BS) 2(825 th BS) 3(826 th BS) 4(827 th BS) 5-6(roll)
4 - 6	Roll Again	

Table 10-102-4 – 55th Bombardment Wing (B-24)

1D6	Group Assignment	Squadron Assignment
1	460 th BG	Roll Again 1(760 th BS) 2(761 st BS) 3(762 nd BS) 4(763 rd BS) 5-6(roll)
2	464 th BG	Roll Again 1(776 th BS) 2(776 th BS) 3(777 th BS) 4(778 th BS) 5-6(roll)
3	465 th BG	Roll Again 1(780 th BS) 2(781 st BS) 3(782 nd BS) 4(783 rd BS) 5-6(roll)
4	485 th BG	Roll Again 1(828 th BS) 2(829 th BS) 3(830 th BS) 4(831 st BS) 5-6(roll)
5 - 6	Roll Again	

Table 10-102-5 – 304th Bombardment Wing (B-24)

1D6	Group Assignment	Squadron Assignment
1	454 th BG	Roll Again 1(736 th BS) 2(737 th BS) 3(738 th BS) 4(739 th BS) 5-6(roll)
2	455 th BG	Roll Again 1(740 th BS) 2(741 st BS) 3(742 nd BS) 4(743 rd BS) 5-6(roll)
3	456 th BG	Roll Again 1(744 th BS) 2(745 th BS) 3(746 th BS) 4(747 th BS) 5-6(roll)
4	459 th BG	Roll Again 1(756 th BS) 2(757 th BS) 3(758 th BS) 4(759 th BS) 5-6(roll)
5 - 6	Roll Again	

➤ Roll 1 die on the following tables if you were assigned to the 8th Air Force. To determine your Air Division roll on table 10-103. Then roll on the Bomb Wing Tables 10-103-1 to 10-103-3.

Table 10-103 Air Division Assignment – 8th Air Force

1D6	Air Division Assignment
1	1 st Air Division
2	2 nd Air Division
3	3 rd Air Division
4-6	Roll Again

Table 10-103-1 Wing Assignment – 1st Air Division – 8th Air Force

1D6	Wing Assignment
1	1 st BW 1943-1945 – Roll 1D6: 1-2, Table 10-104-1; 3-4, Table 10-104-2; 5-6, Table 10-104-3
2	2 nd BW 1942/1945
3	40 th BW 1943-1945
4	41 st BW 1943-1945
5	92 nd BW 1943
6	94 th BW 1943-1945

Table 10-104-2 Group/Squadron Assignment – 1st BW – 8th Air Force (B-17)

1D6	Group Assignment	Squadron Assignment
1	305 th BG	Roll Again 1(364 th BS) 2(365 th BS) 3(366 th BS) 4(422 nd BS) 5-6(roll)
2	306 th BG	Roll Again 1(367 th BS) 2(368 th BS) 3(369 th BS) 4(423 rd BS) 5-6(roll)
3	351 st BG	Roll Again 1(508 th BS) 2(509 th BS) 3(510 th BS) 4(511 th BS) 5-6(roll)
4	379 th BG	Roll Again 1(524 th BS) 2(525 th BS) 3(526 th BS) 4(527 th BS) 5-6(roll)
5	381 st BG	Roll Again 1(532 nd BS) 2(533 rd BS) 3(534 th BS) 4(535 th BS) 5-6(roll)
6	384 th BG	Roll Again 1(544 th BS) 2(545 th BS) 3(546 th BS) 4(547 th BS) 5-6(roll)

Target For Today Gazetteer - Missing Tables

These three tables were inadvertently left out of the printed version.

Table 10-103-2 Wing Assignment – 2nd Air Division – 8th Air Force

Roll	Wing Assignment
1	2nd BW 1943-1945
2	14th BW 1943-1945
3	20th BW 1943-1945
4	93rd BW 1943-1945
5	96th BW 1944 -1945
6	Roll Again

Table 10-103-3 Wing Assignment – 3rd Air Division – 8th Air Force

Roll	Wing Assignment
1	4 th BW 1943-1945 Roll again – 1-3 Table 10-107-1, 4-6 Table 10-107-2
2	13 th BW 1943-1945
3	45 th BW 1943-1945
4	92 nd BW 1943-1945
5	93 rd BW 1944-1945
6	Roll Again

1st AIR DIVISION

Table 10-104-1 Group/Squadron Assignment – 1st BW – 8th Air Force (B-17)

Roll	Group Assignment	Squadron Assignment
1	91 st BG	Roll Again 1(322 nd BS) 2(323 rd BS) 3(324 th BS) 4(401 st BS) 5-6(roll)
2	92 nd BG	Roll Again 1(325 th BS) 2(326 th BS) 3(327 th BS) 4(407 th BS) 5-6(roll)
3	93 rd BG	Roll Again 1(328 th BS) 2(329 th BS) 3(330 th BS) 4(409 th BS) 5-6(roll)
4	97 th BG	Roll Again 1(340 th BS) 2(341 st BS) 3(342 nd BS) 4(414 th BS) 5-6(roll)
5	301 st BG	Roll Again 1(32 nd BS) 2(352 nd BS) 3(353 rd BS) 4(419 th BS) 5-6(roll)
6	303 rd BG	Roll Again 1(358 th BS) 2(359 th BS) 3(360 th BS) 4(427 th BS) 5-6(roll)

TARGET FOR TODAY - BOMBERS OVER THE REICH, 1942 - 1945

Table 10-104-3 Group/Squadron Assignment – 1st BW – 8th Air Force (B-17)

1D6	Group Assignment	Squadron Assignment
1-3	398 th BG	Roll Again 1(600 th BS) 2(601 st BS) 3(602 nd BS) 4(603 rd BS) 5-6(roll)
4-6	482 nd BG	Roll Again 1(524 th BS) 2(525 th BS) 3(526 th BS) 4(527 th BS) 5-6(roll)

Table 10-105-1 Group/Squadron Assignment – 2nd BW – 8th Air Force (B-17)

1D6	Group Assignment	Squadron Assignment
1	44 th BG	Roll Again 1(66 th BS) 2(67 th BS) 3(68 th BS) 4(506 th BS) 5-6(roll)
2	93 rd BG	Roll Again 1(328 th BS) 2(329 th BS) 3(330 th BS) 4(409 th BS) 5-6(roll)
3	389 th BG	Roll Again 1(564 th BS) 2(565 th BS) 3(566 th BS) 4(567 th BS) 5-6(roll)
4	392 nd BG	Roll Again 1(576 th BS) 2(577 th BS) 3(578 th BS) 4(579 th BS) 5-6(roll)
5	445 th BG	Roll Again 1(700 th BS) 2(701 st BS) 3(702 nd BS) 4(703 rd BS) 5-6(roll)
6	453 rd BG	Roll Again 1(732 nd BS) 2(733 rd BS) 3(734 th BS) 4(735 th BS) 5-6(roll)

Table 10-105-2 Group/Squadron Assignment – 40th BW – 8th Air Force (B-17)

1D6	Group Assignment	Squadron Assignment
1	92 nd BG	Roll Again 1(325 th BS) 2(326 th BS) 3(327 th BS) 4(407 th BS) 5-6(roll)
2	305 th BG	Roll Again 1(364 th BS) 2(365 th BS) 3(366 th BS) 4(422 nd BS) 5-6(roll)
3	306 th BG	Roll Again 1(367 th BS) 2(368 th BS) 3(369 th BS) 4(423 rd BS) 5-6(roll)
4	492 nd BG	Roll Again 1(856 th BS) 2(857 th BS) 3(858 th BS) 4(859 th BS) 5-6(roll)
5-6	Roll Again	

Table 10-105-3 Group/Squadron Assignment – 41st BW – 8th Air Force (B-17)

1D6	Group Assignment	Squadron Assignment
1	303 rd BG	Roll Again 1(358 th BS) 2(359 th BS) 3(360 th BS) 4(427 th S) 5-6(roll)
2	379 th BG	Roll Again 1(524 th BS) 2(525 th BS) 3(526 th BS) 4(527 th BS) 5-6(roll)
3	384 th BG	Roll Again 1(544 th BS) 2(545 th BS) 3(546 th BS) 4(547 th BS) 5-6(roll)
4-6	Roll Again	

Table 10-105-4 Group/Squadron Assignment – 92nd BW – 8th Air Force (B-17)

1D6	Group Assignment	Squadron Assignment
1	351 st BG	Roll Again 1(508 th BS) 2(509 th BS) 3(510 th BS) 4(511 th S) 5-6(roll)
2	401 st BG	Roll Again 1(612 th BS) 2(613 th BS) 3(614 th BS) 4(615 th BS) 5-6(roll)
3	486 th BG	Roll Again 1(832 nd BS) 2(833 rd BS) 3(834 th BS) 4(835 th BS) 5-6(roll)
4	487 th BG	Roll Again 1(836 th BS) 2(837 th BS) 3(838 th BS) 4(839 th BS) 5-6(roll)
5-6	Roll Again	

Table 10-105-5 Group/Squadron Assignment – 94th BW – 8th Air Force (B-17)

1D6	Group Assignment	Squadron Assignment
1	351 st BG	Roll Again 1(508 th BS) 2(509 th BS) 3(510 th BS) 4(511 th S) 5-6(roll)
2	401 st BG	Roll Again 1(612 th BS) 2(613 th BS) 3(614 th BS) 4(615 th BS) 5-6(roll)
3	457 th BG	Roll Again 1(748 th BS) 2(749 th BS) 3(750 th BS) 4(751 th BS) 5-6(roll)
4-6	Roll Again	

TARGET FOR TODAY - BOMBERS OVER THE REICH, 1942 - 1945

2nd AIR DIVISION

Table 10-106-1 Group/Squadron Assignment - 2nd BW – 8th Air Force (B-24)

1D6	Group Assignment	Squadron Assignment
1	44 th BG	Roll Again 1(66 th BS) 2(67 th BS) 3(68 th BS) 4(506 th BS) 5-6(reroll)
2	93 rd BG	Roll Again 1(328 th BS) 2(329 th BS) 3(330 th BS) 4(409 th BS) 5-6(reroll)
3	389 th BG	Roll Again 1(564 th BS) 2(565 th BS) 3(566 th BS) 4(567 th BS) 5-6(reroll)
4	392 nd BG	Roll Again 1(576 th BS) 2(577 th BS) 3(578 th BS) 4(579 th BS) 5-6(reroll)
5	445 th BG	Roll Again 1(700 th BS) 2(701 st BS) 3(702 nd BS) 4(703 rd BS) 5-6(reroll)
6	453 rd BG	Roll Again 1(732 nd BS) 2(733 rd BS) 3(734 th BS) 4(735 th BS) 5-6(reroll)

Table 10-106-2 Group/Squadron Assignment – 14th Bomb Wing 8th Air Force (B-24)

1D6	Group Assignment	Squadron Assignment
1	44 th BG	Roll Again 1(66 th BS) 2(67 th BS) 3(68 th BS) 4(506 th BS) 5-6(reroll)
2	392 nd BG	Roll Again 1(576 th BS) 2(577 th BS) 3(578 th BS) 4(579 th BS) 5-6(reroll)
3	491 st BG	Roll Again 1(848 th BS) 2(853 rd BS) 3(854 th BS) 4(855 th BS) 5-6(reroll)
4	492 nd BG	Roll Again 1(856 th BS) 2(857 th BS) 3(858 th BS) 4(859 th BS) 5-6(reroll)
5-6	Roll Again	

Table 10-106-3 Group/Squadron Assignment – 20th Bomb Wing 8th Air Force (B-24)

1D6	Group Assignment	Squadron Assignment
1	93 rd BG	Roll Again 1(328 th BS) 2(329 th BS) 3(330 th BS) 4(409 th BS) 5-6(reroll)
2	446 th BG	Roll Again 1(704 th BS) 2(705 th BS) 3(706 th BS) 4(707 th BS) 5-6(reroll)
3	448 th BG	Roll Again 1(712 th BS) 2(713 th BS) 3(714 th BS) 4(715 th BS) 5-6(reroll)
4	489 th BG	Roll Again 1(844 th BS) 2(845 th BS) 3(846 th BS) 4(847 th BS) 5-6(reroll)
5-6	Roll Again	

Table 10-106-4 Group/Squadron Assignment – 93rd Bomb Wing 8th Air Force (B-24)

1D6	Group Assignment	Squadron Assignment
1	34 th BG	Roll Again 1(4 th BS) 2(7 th BS) 3(18 th BS) 4(391 th BS) 5-6(reroll)
2	490 th BG	Roll Again 1(848 th BS) 2(849 th BS) 3(850 th BS) 4(851 st BS) 5-6(reroll)
3	493 rd BG	Roll Again 1(860 th BS) 2(861 st BS) 3(862 nd BS) 4(863 rd BS) 5-6(reroll)
4-6	Roll Again	

Table 10-106-5 Group/Squadron Assignment – 96th Bomb Wing 8th Air Force (B-24)

1D6	Group Assignment	Squadron Assignment
1	458 th BG	Roll Again 1(752 nd BS) 2(753 rd BS) 3(754 th BS) 4(755 th BS) 5-6(reroll)
2	466 th BG	Roll Again 1(784 th BS) 2(785 th BS) 3(786 th BS) 4(787 th BS) 5-6(reroll)
3	467 th BG	Roll Again 1(788 th BS) 2(789 th BS) 3(790 th BS) 4(791 st BS) 5-6(reroll)
4-6	Roll Again	

TARGET FOR TODAY - BOMBERS OVER THE REICH, 1942 - 1945

3rd AIR DIVISION

Table 10-107-1 Group/Squadron Assignment – 4th Bomb Wing 8th Air Force (B-17)

1D6	Group Assignment	Squadron Assignment
1	94 th BG	Roll Again 1(331 st BS) 2(332 nd BS) 3(333 rd BS) 4(410 th BS) 5-6(roll)
2	95 th BG	Roll Again 1(334 th BS) 2(335 th BS) 3(336 th BS) 4(412 th BS) 5-6(roll)
3	96 th BG	Roll Again 1(337 th BS) 2(338 th BS) 3(339 th BS) 4(413 th BS) 5-6(roll)
4	385 th BG	Roll Again 1(548 th BS) 2(549 th BS) 3(550 th BS) 4(551 st BS) 5-6(roll)
5-6	Roll Again	

Table 10-107-2 Group/Squadron Assignment – 4th Bomb Wing 8th Air Force (B-17)

1D6	Group Assignment	Squadron Assignment
1	388 th BG	Roll Again 1(560 th BS) 2(561 st BS) 3(562 nd BS) 4(563 rd BS) 5-6(roll)
2	390 th BG	Roll Again 1(568 th BS) 2(569 th BS) 3(570 th BS) 4(571 st BS) 5-6(roll)
3	447 th BG	Roll Again 1(708 th BS) 2(709 th BS) 3(710 th BS) 4(711 th BS) 5-6(roll)
4-6	Roll Again	

Table 10-107-3 Group/Squadron Assignment – 13th Bomb Wing 8th Air Force (B-17)

1D6	Group Assignment	Squadron Assignment
1	95 th BG	Roll Again 1(331 st BS) 2(332 nd BS) 3(333 rd BS) 4(410 th BS) 5-6(roll)
2	100 th BG	Roll Again 1(349 th BS) 2(350 th BS) 3(351 st BS) 4(418 th BS) 5-6(roll)
3	390 th BG	Roll Again 1(568 th BS) 2(569 th BS) 3(570 th BS) 4(571 st BS) 5-6(roll)
4	490 th BG	Roll Again 1(848 th BS) 2(849 th BS) 3(850 th BS) 4(851 st BS) 5-6(roll)
5	493 rd BG	Roll Again 1(860 th BS) 2(861 st BS) 3(862 nd BS) 4(863 rd BS) 5-6(roll)
6	Roll Again	

Table 10-107-4 Group/Squadron Assignment – 45th Bomb Wing 8th Air Force (B-17)

1D6	Group Assignment	Squadron Assignment
1	96 th BG	Roll Again 1(337 th BS) 2(338 th BS) 3(339 th BS) 4(413 th BS) 5-6(roll)
2	388 th BG	Roll Again 1(560 th BS) 2(561 st BS) 3(562 nd BS) 4(563 rd BS) 5-6(roll)
3	452 nd BG	Roll Again 1(728 th BS) 2(729 th BS) 3(730 th BS) 4(731 st BS) 5-6(roll)
4-6	Roll Again	

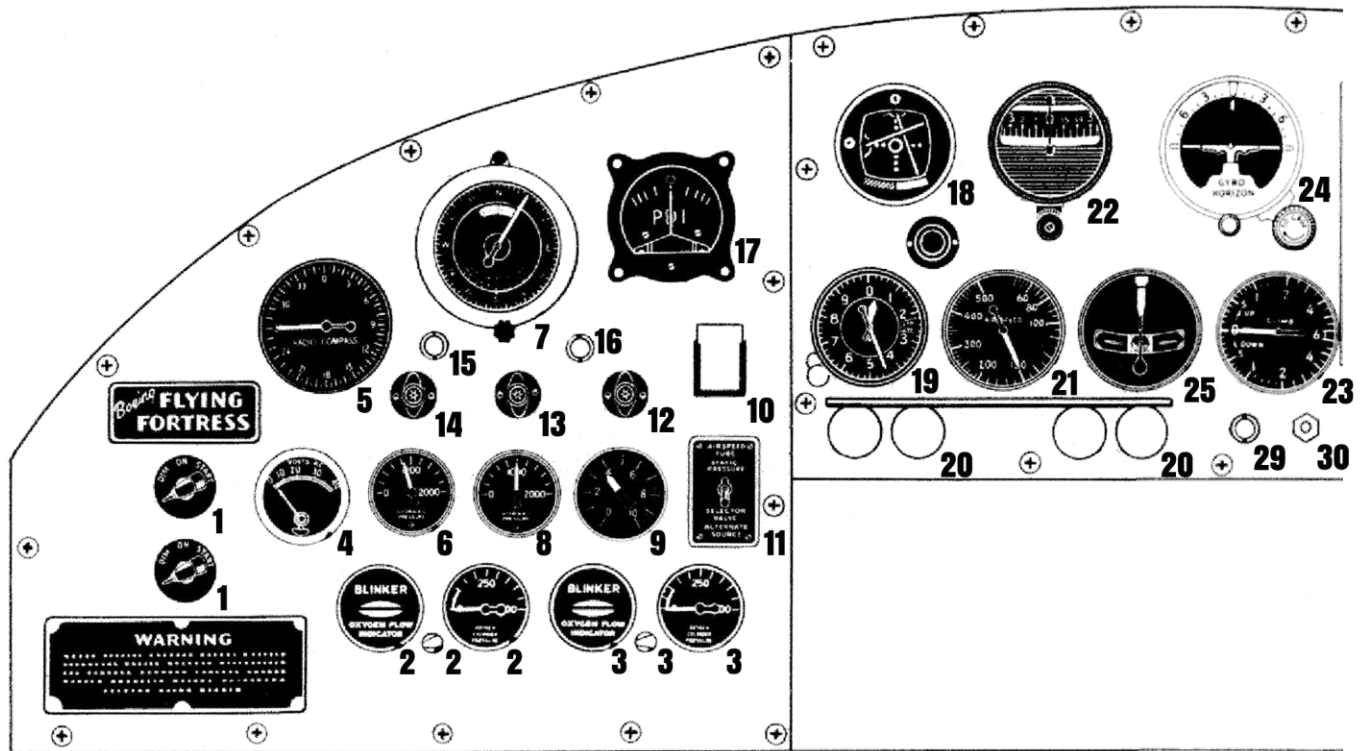
Table 10-107-5 Group/Squadron Assignment – 92nd Bomb Wing 8th Air Force (B-17)

1D6	Group Assignment	Squadron Assignment
1	351 st BG	Roll Again 1(508 th BS) 2(509 th BS) 3(510 th BS) 4(511 th S) 5-6(roll)
2	401 st BG	Roll Again 1(612 th BS) 2(613 th BS) 3(614 th BS) 4(615 th BS) 5-6(roll)
3	486 th BG B17 or B24	Roll Again 1(832 nd BS) 2(833 rd BS) 3(834 th BS) 4(835 th BS) 5-6(roll)
4	487 th BG B17 or B24	Roll Again 1(836 th BS) 2(837 th BS) 3(838 th BS) 4(839 th BS) 5-6(roll)
5-6	Roll Again	

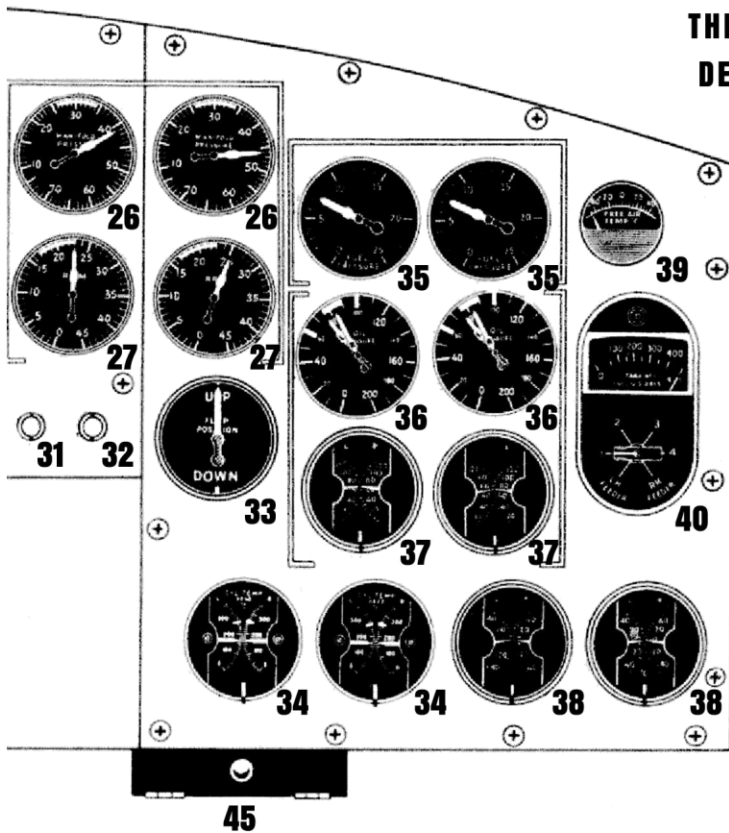
Table 10-107-6 Group/Squadron Assignment – 93rd Bomb Wing 8th Air Force (B-17 or B-24)

1D6	Group Assignment	Squadron Assignment
1	34 th	Roll Again 1(4 th BS) 2(7 th BS) 3(18 th BS) 4(391 th BS) 5-6(roll)
2	385 th	Roll Again 1(548 th BS) 2(549 th BS) 3(550 th BS) 4(551 st BS) 5-6(roll)
3	490 th	Roll Again 1(848 th BS) 2(849 th BS) 3(850 th BS) 4(851 st BS) 5-6(roll)
4	493 rd	Roll Again 1(860 th BS) 2(861 st BS) 3(862 nd BS) 4(863 rd BS) 5-6(roll)
5-6	Roll Again	

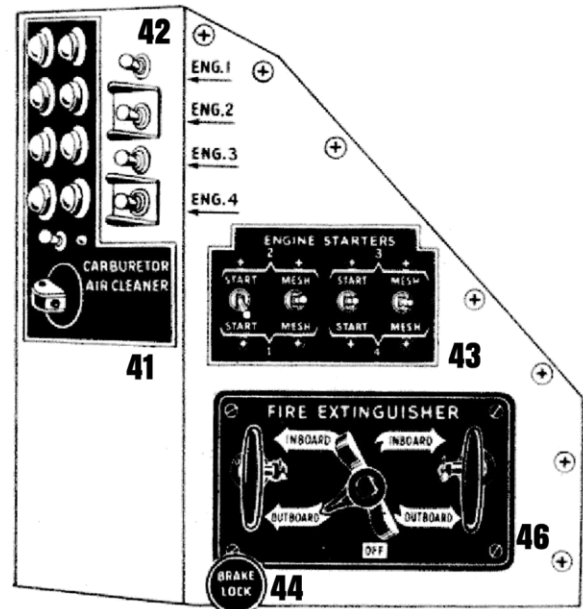
B-17 INSTRUMENT PANEL



1. Fluorescent light switches.
2. Pilot's oxygen flow indicator warning light and pressure gauge.
3. Copilot's oxygen flow indicator warning light and pressure gauge.
4. Voltmeter (AC).
5. Radio compass.
6. Emergency oil pressure gauge (Not on G).
7. Flux gate compass.
8. Hydraulic oil pressure gauge.
9. Suction gauge.
10. Altimeter correction card.
11. Airspeed alternate source switch.
12. Vacuum warning light.
13. Main system hydraulic oil warning light.
14. Emergency system hydraulic oil warning light (Not on G).
15. Bomb door position light (Not on G).
16. Bomb release light.
17. Pilot's directional indicator.
18. Pilot's localizer indicator.
19. Altimeter.
20. Propeller feathering switch.
21. Airspeed indicator.



**THIS IS A TYPICAL B-17 INSTRUMENT PANEL.
DETAILS WILL VARY IN DIFFERENT MODELS.**

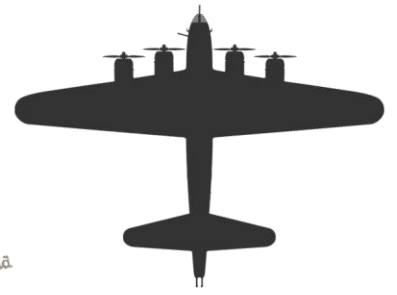


- 22. Directional gyro.
- 23. Rate-of-climb indicator.
- 24. Flight indicator.
- 25. Turn-and-bank indicator
- 26. Manifold pressure gauges.
- 27. Tachometers.
- 28. Marker beacon light.
- 29. Globe test button.
- 30. Bomber call light.
- 31. Landing gear warning light.
- 32. Tailwheel lock light.
- 33. Flap position indicator.
- 34. Cylinder-head temperature gauges.

- 35. Fuel pressure gauges.
- 36. Oil pressure gauges.
- 37. Oil temperature gauges.
- 38. Carburetor air temperature gauges.
- 39. Free air temperature gauge.
- 40. Fuel quantity gauge.
- 41. Carburetor air filter switch.
- 42. Oil dilution switches.
- 43. Starting switches.
- 44. Parking brake control.
- 45. Spare fuse box.
- 46. Engine fire extinguisher controls
(on some airplanes).

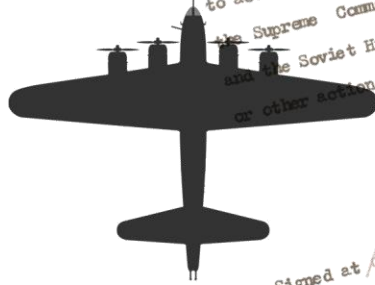
TARGET FOR TODAY

BOMBERS OVER THE REICH, 1942 -1945



Only this text in English is authoritative

ACT OF MILITARY SURRENDER



5. In the event of the German High Command or any of the forces under their control failing to act in accordance with this Act of Surrender, the Supreme Commander, Allied Expeditionary Force and the Soviet High Command will take such punitive or other action as they deem appropriate.

1. We the undersigned, acting by authority of the German High Command, hereby surrender unconditionally to the Supreme Commander, Allied Expeditionary Force and simultaneously to the Soviet High Command all forces on land, sea, and in the air who are at this date under German control.

2. The German High Command will at once issue orders to all German military, naval and air authorities and to all forces under German control to cease active operations at 2301 hours Central European time on 8 May and to remain in the positions occupied at that time. No ship, vessel, or aircraft is to be scuttled, or any damage done to their hull, machinery or equipment.

3. The German High Command will at once issue to the appropriate commanders, and ensure the carrying out of any further orders issued by the Supreme Commander, Allied Expeditionary Force and by the Soviet High Command.

4. This act of military surrender is without prejudice to, and will be superseded by, any general instrument of surrender imposed by, or on behalf of the United Nations and applicable to GERMANY and the German armed forces as a whole.

Signed at *Rhinna at 0241* on the *7th* day of May, 1945.
France



On behalf of the German High Command.



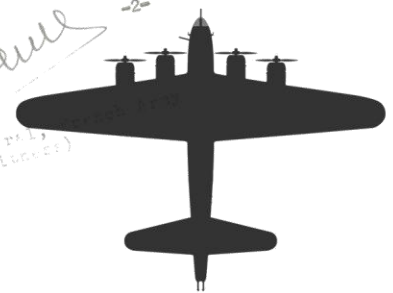
IN THE PRESENCE OF

On behalf of the Supreme Commander, Allied Expeditionary Force.

On behalf of the Soviet High Command.

A. B. Smith - *Soyuzovost*

A. B. Smith -2-
Major General,
(minutes)



LEGION
WARGAMES, LLC
© 2016

